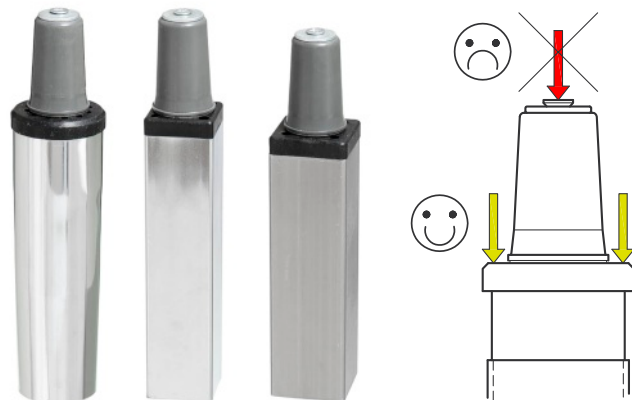
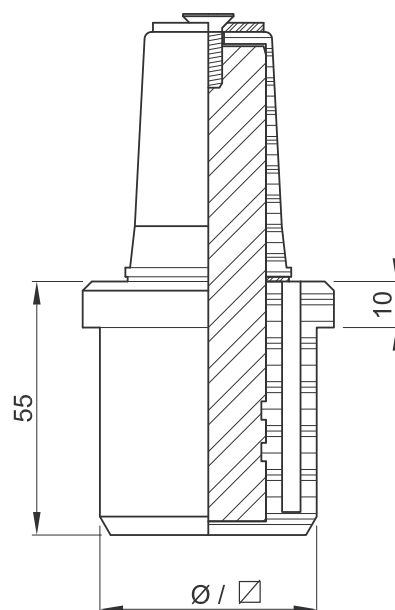


Easy swivel



Assembling instructions

- Swivel body is to be pressed into a cylindrical- or square metal tube. Please see sketch above. Please do not press on the Eurocone!
- Minimum tube length for tapered bottom is 82mm

Product information

Swivel with function (rotation) inside the Eurocone.

Name

Easy swivel, rotation >360°

Model [mm]

Round Ø47,4

Square □40*40*1,5/2,0

Square □45*45*1,5/2,0

Round Ø

Pipe dim. [mm]

50,8*1,5/2,0

40.0*2,0

Product code

411 508-EC

414 400-EC

414 450-EC

411 400-EC

Height for all swivel bodies is 55mm.

Specifications

- Material: metal and composite
- Color: black
- Surface: no structure
- Cone: Eurocone
- Patented

Options

- Swivel can be delivered with Eurocone unassembled, and/or also with whole swivel ready assembled in a metal tube.
- Also available with Piccolo body 550 000-EC
- Also available for outdoor use