

mekrapid

YOUR SPECIFIC NEEDS HAVE OUR FULL ATTENTION

Mekrapid Products Since 1974

Your specific needs have our full attention

Ready to enter the world of smart swivels ?

- Your chair will perform the outmost in function, durability & design with our swivels.
- We supply customized solutions in small and big quantities.
- We are product- & process specialists with more than 300 invented production units, and 100 components for chairs and sofas. Thereof the company name, mechanical equipment for rapid and automated production.

Reliability and durability

- A Mekrapid product is a result of patented inventions and constant improvement since 1974.
- Our swivels are durability & strength tested, all compatible with REACH-regulations.
- We will help you to ensure a safe product use in combination with a smooth and effective production for it.
- We hold the world's largest range of swivel models and functions for chairs.
- As a second generation family owned company we put reliability and long-lasting relationships in the first room.



Fredrika Furu
Managing Director
Owner since 2014



Alfred Kjellman
Technical Director
Owner since 2014

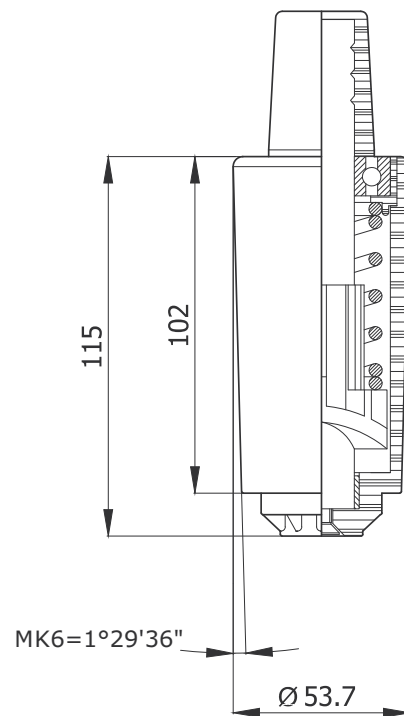
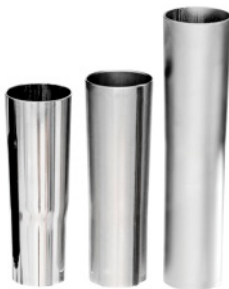


Fredrik Kjellman
Founder

Index

Swivels with taper or screw connection to the base	Patron swivel	6	
	Patron Release swivel	7	
	Patron & Release metal tubes	8	
	Patron Column	9	
	Stop Unit	10	
	Senior Height Unit	11	
	Piccolo swivel	12	
	Piccolo fastening disc	13	
	Piccolo metal tubes	14	
	Outdoor swivel	15	
	Easy swivel	16	
	Combi swivel	17	
	Minima swivel	18	
	Origo swivel	19	
Origo 4Stop swivel	22		
Swivels with multiple wooden feet	Eifel swivel	23	
	Tetra footstool	24	
	Octopus swivel	25	
	Octopus footstool	26	
	Office Column	27	
	Ragno swivel	28	
	Swivels with screw connection to a base	Trumpet swivel	29
Cylindo Column		30	
Cornet swivel		31	
Cornet Column		32	
Cornet footstool		33	
Ayers swivel		34	
Uluru Column		35	
Wooden bases	Female cones	36	
	Swivel cone models	37	
	Technical details	38	
	4-Star wooden base	39	
Chair components	5-Star wooden base	40	
	Disco wooden base	41	
	Skeleton footstool frame	42	
	Linus glide	43	
	Uno glide	44	
	Hinges	45	
	Esco foot rest fitting	46	
	Foldable side table system	47	
	Info	Contact information	48
		Reference customers	49
Agent contact information		50	

Patron swivel



Product information

Swivel available with automatic return mechanism, adaptable for conical metal tube Ø50-Ø50.8mm.

Name	Product code
Patron swivel, automatic return >360°	351 000

Name	Product code
Patron swivel, rotation >360°	355 000

Specifications

- Material: metal and composite
- Color: black
- Patented function
- REACH-compliant and part of Svanen-labelled furniture pieces

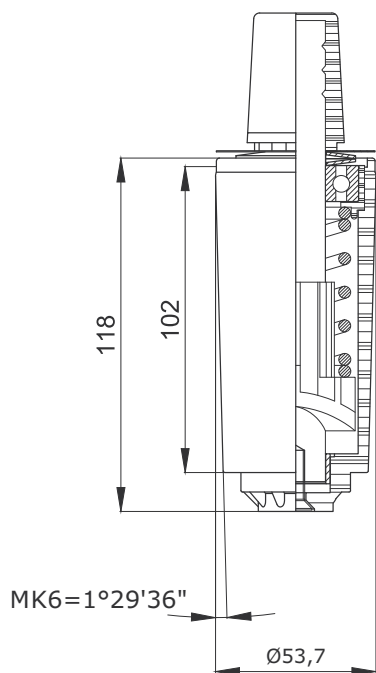
Options

- Upper cone
- Automatic return function: light, medium or heavy
- High precision cam

Assembling instructions

- swivel is to be assembled in a conical metal tube.
- the whole swivel body (102mm) needs the support of a metal tube (or equal support)
- Ask for our assembly instructions

Patron Release swivel



Product information

Automatic return swivel with release function. Swivel with automatic return mechanism, adaptable for conical metal tube $\varnothing 50$ - $\varnothing 50.8$ mm.

Name
Patron Release swivel
automatic return $>360^\circ$

Product code
351 000R

Specifications

- Material: metal and composite
- Color: black
- Patented function
- REACH-compliant and part of Svanen-labelled furniture pieces
- Release of auto-return function at approx. 35kg weight

Options

- Upper cone
- High precision cam

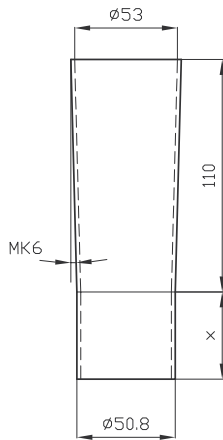


Assembling instructions

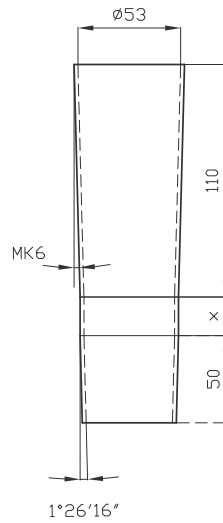
- swivel is to be assembled in a conical metal tube
- the whole swivel body (102mm) needs the support of a metal tube (or equal support)
- Patron Release could be combined with Patron column, Cylindo column and Cornet column
- Ask for our assembly instructions

Patron & Release metal tubes

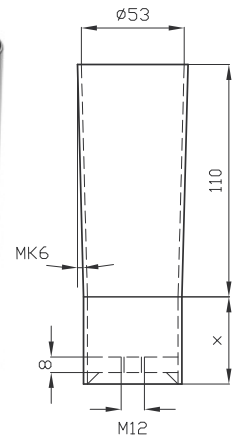
Product code
351 165



Product code
351 165-C



Product code
351 165-M12



1a.



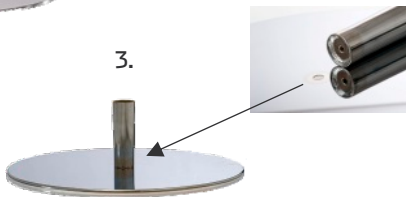
1b.



2.



3.



Product information

Tapered metal tube models for Patron and Release swivels, made from 50,8 x 2,00 or 50,0 x 2,00mm tubes.

Form	Product code	Minimum length
1 * cone	351165	125mm
2 * cone	351165-C	165mm
1 * cone M12	351165-M12	135mm

If welded tube can deform and needs to be reshaped.

Specifications

- MK6 = 1°29'36".
- Standard made from metal pipe Ø50.8mm.
- Wall thickness of standard pipe 2mm.
- Raw metal surface, II-class for painting

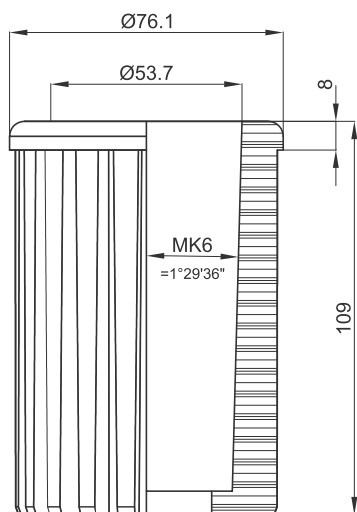
Options

- Surface: painted or chrome (matt/shiny). Other surfaces on request
- Length
- Upper conicity of tube could be made deeper to assemble the swivel at a lower level (counter sunk)
- Also available in Aluminium or stainless steel K320

Assembling instructions

- The Patron swivel is to be pressed into the tube
1. To be welded to metal legs (1a) / base (1b)
 2. To be assembled to a center hole of base Ø50mm
Conicity 1°26'16"
 3. To be fastened to a base by an M12 screw
- Ask for our assembly instructions

Patron Column



Assembling instructions

- Column is to be pressed into a cylindrical metal tube
- Could be combined with Patron and Release swivels, Stop Unit and Senior Height Unit
- Swivels to be pressed into the column

Product information

Center Column for metal tube Ø76.1mm t=2.0mm

Name
Patron Column

Product code
351 950

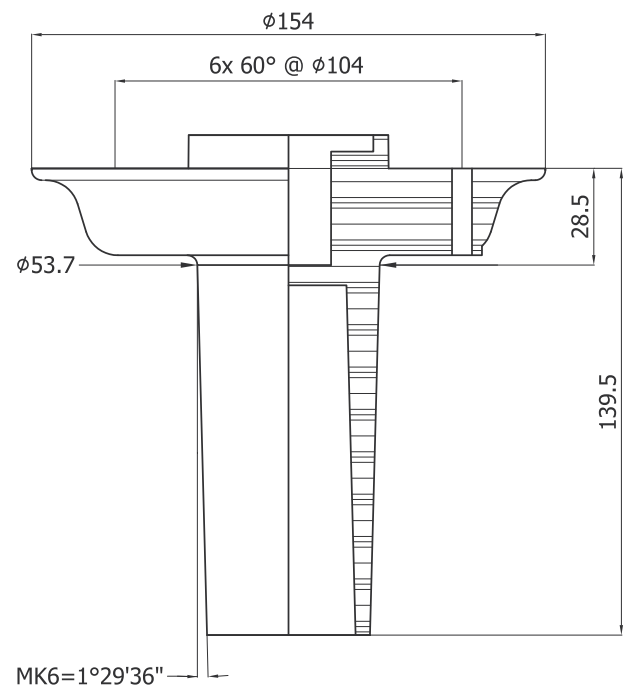
Specifications

- Material: composite
- Color: black
- Column adaptable for metal pipe Ø76,1*2,0mm
- Center hole MK6 = 1°29'36" (=Patron swivel)
- REACH -compliant

Options

- Metal tube, length and surface

Stop Unit



Assembling instructions

- Stop Unit could be combined with Cyllindo Column, Cornet Column, Patron Column and metal 50/76,1mm tubes
- Stop Unit to be fastened to chair seat/frame with
Alt.1: 6pcs wooden screws 5*50mm from above or
Alt.2: 6pcs M6*35mm from underneath
- Hole pattern for swivel, Ø 104,0, 6pcs

Product information

Center unit for non-swiveling chair seats.

Name	Product code
Stop Unit	351 951

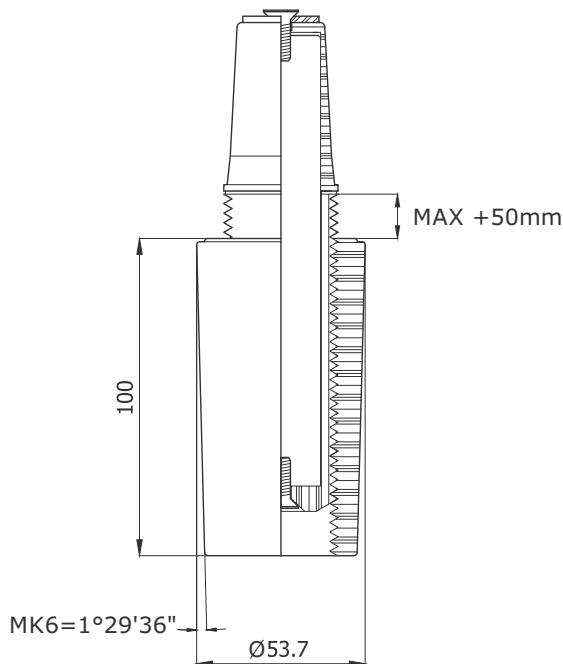
Specifications

- Material: composite
- Color: black
- MK6 = 1°29'36" (=Patron swivel)
- REACH -Compliant

Options

- See pages metal tubes and Cyllindo -, Cornet - and Patron Column

Senior Height Unit



Product information

Swivel unit for adjusting of chair seat height (at manufacturing stage). Ideal for customized senior or health care seating.

Name	Product code
Trombone Unit	430 100

Specifications

- Material: composite
- Color: black
- MK6 = 1°29'36" (=Patron swivel)
- Minimum height 0mm from swivel height
- Maximum height +50mm from swivel height
- REACH -Compliant

Options

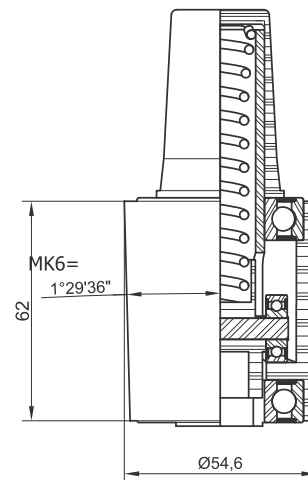
- Upper cone
- See Cornet -, Patron - and Cylando Column pages
- 100mm or 140mm center shaft
- Also available with Combi-cone model



Assembling instructions

- Trombone is adaptable with Patron metal tubes, Cornet -, Patron and Cylando Columns
- Trombone is to be pressed into the Columns/pipes
- Do not use fastening screw between cone and female cone

Piccolo swivel



1a.



1b.



Assembling instructions

- The whole swivel body requires the support of a conical metal tube (or equal support) with minimum length/height of 70mm
- 1a: Swivel to be assembled in a conical metal tube of Ø50.8mm (t=2mm)
- 1b: Swivel to be assembled upside down in a metal tube Ø44.5mm (t=2mm). Female Bushing (Eurocone or GAScone) needed
- Ask for our assembly instructions
- Do not use fastening screw between upper cone and female cone

Product information

Swivel available with automatic return mechanism, adaptable for conical metal tubes Ø50.0-50.8mm and Ø44.5mm.

Name Piccolo swivel, Automatic return >360° with stability washer	Product code 510 000 510 000W
Name Piccolo swivel, rotating >360°	Product code 555 000

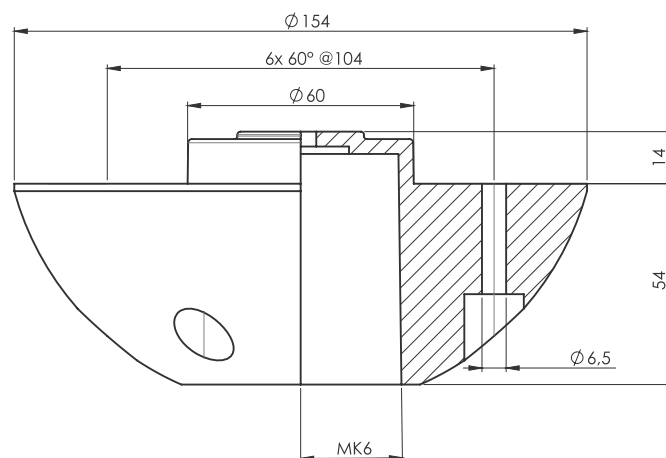
Specifications

- Material: POM
- Color: black
- MK6 = 1°29'36"
- REACH -compliant

Options

- Upper cone

Piccolo Fastening disc



Product information

Fastening disc for Piccolo swivels. Use this disc right under the chair seat, together with Piccolo swivel assembled upside down. The combination allows a center tube for your chair with diameter of only 35...38mm.

Name	Product code
Fastening disc for Piccolo	336510

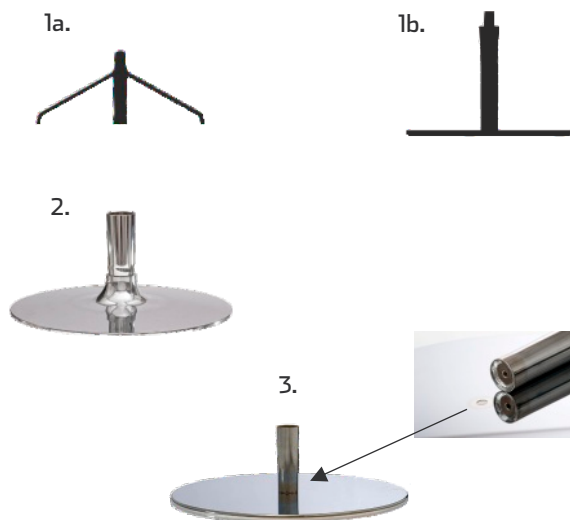
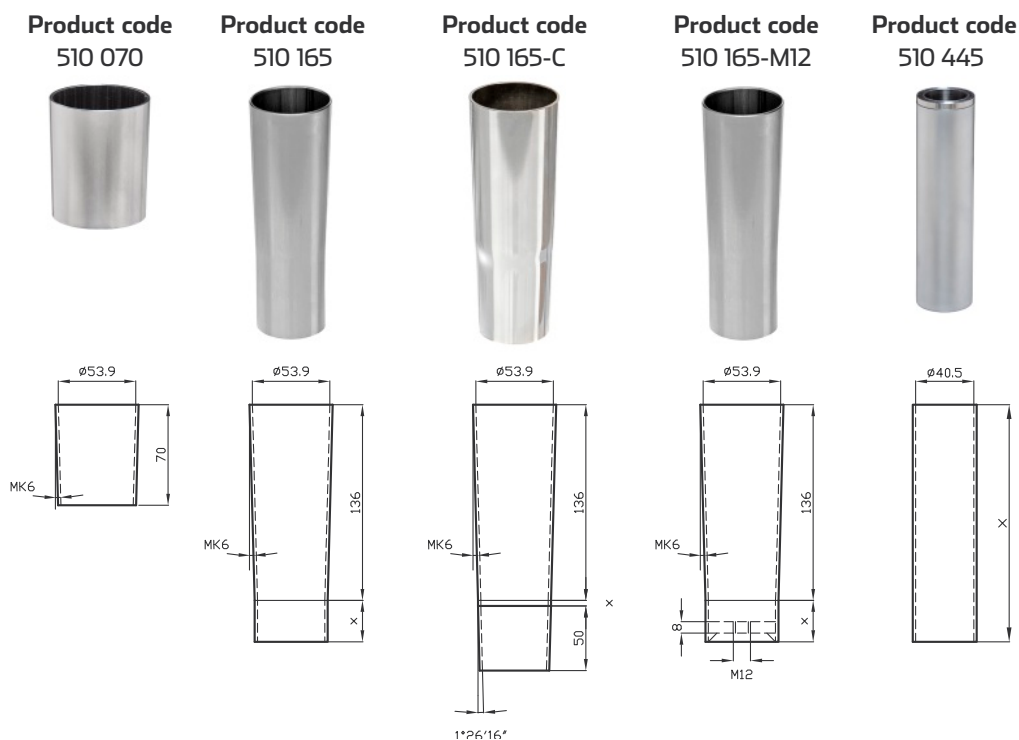
Specifications

- Material: composite.
- Color: black.
- REACH -compliant

Options

- Fastening from above with 6pcs wooden screws minimum length 5.0*50/30mm, or from below with 6sets screws M6*50mm and pronged t-nut M6.
- Ask for our assembly drawings!

Piccolo metal tubes



Assembling instructions

- The Piccolo swivel is to be pressed into the tube
- 1. To be welded to metal legs (1a) / base (1b)
- 2. To be assembled to a center hole of base Ø50mm
Conicity 1°26'16"
- 3. To be fastened to a base by an M12 screw
- Ask for our assembly instructions

Product information

Tapered metal tube models for Piccolo swivels, made from 50,8 x 2,00 or 50,0 x 2,00mm pipes.

Form	Product code
1 * cone	510 065 (minimum length 70mm)
1 * cone	510 165
2 * cone	510 165-C
1 * cone M12	510 165-M12
Cylindric Ø44,5mm	510 445 (length on request)

If welded, tube can deform and needs to be reshaped.

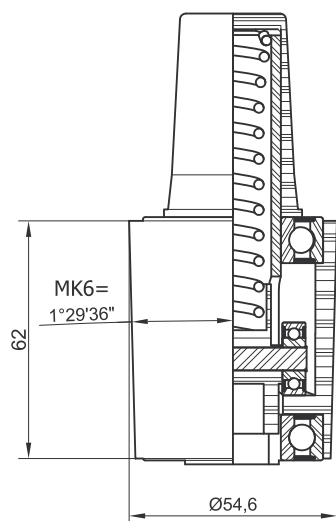
Specifications

- MK6 = 1°29'36"
- Standard made from metal pipe Ø50,8mm
- Wall thickness of standard pipe 2mm
- Raw metal surface, II -class for painting

Options

- Surface: painted or chrome (matt/shiny). Other surfaces on request
- Length
- Upper conicity of tube could be made deeper to assemble the swivel at a lower level
- Also available in Aluminium or stainless steel K320

Outdoor swivel



Assembling instructions

- The whole swivel body requires the support of a conical metal tube (or equal support) with minimum length/height of 70mm
- Ask for our assembly instructions
- Do not use fastening screw between upper cone and female cone

Product information

Swivel available with automatic return mechanism, adaptable for conical metal tubes.

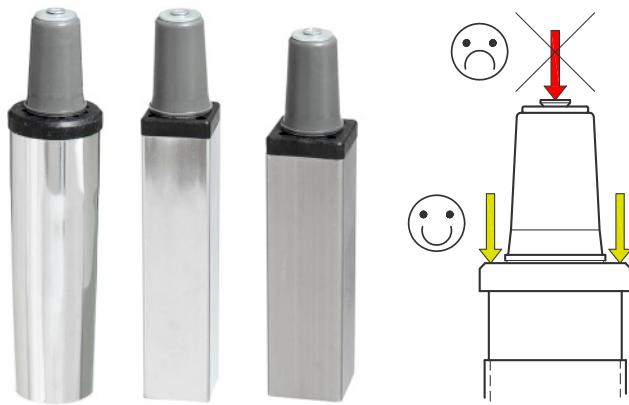
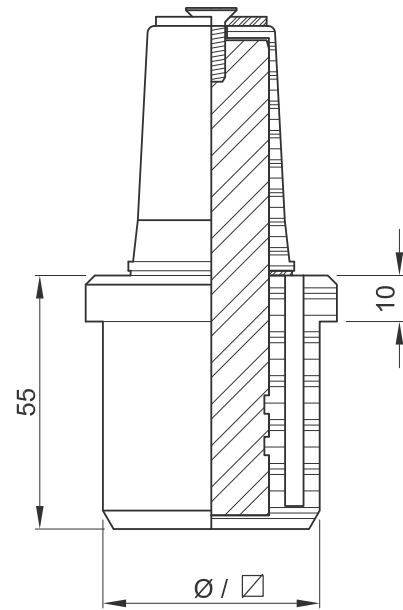
Name	Product code
Outdoor swivel, Automatic return >360°	610 000-EC

Name	Product code
Outdoor swivel, rotating >360°	655 000-EC

Specifications

- Material: non-corrosive and POM
- Color: black
- MK6 = 1°29'36"
- Eurocone
- REACH -compliant

Easy swivel



Assembling instructions

- Swivel body is to be pressed into a cylindrical- or square metal tube. Please see sketch above. Please do not press on the Eurocone!
- Minimum tube length for tapered bottom is 82mm

Product information

Swivel with function (rotation) inside the Eurocone.

Name

Easy swivel, rotation >360°

Model [mm]

Round Ø47,4

Square □40*40*1,5/2,0

Square □45*45*1,5/2,0

Round Ø

Pipe dim. [mm]

50,8*1,5/2,0

40.0*2,0

Product code

411 508-EC

414 400-EC

414 450-EC

411 400-EC

Height for all swivel bodies is 55mm.

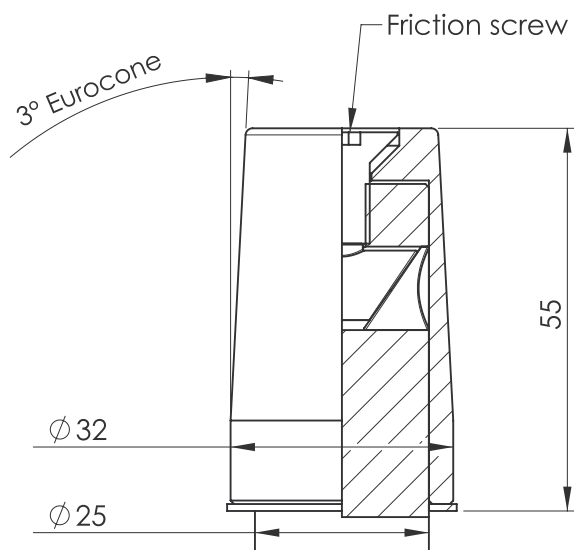
Specifications

- Material: metal and composite
- Color: black
- Surface: no structure
- Cone: Eurocone
- Patented

Options

- Swivel can be delivered with Eurocone unassembled, and/or also with whole swivel ready assembled in a metal tube.
- Also available with Piccolo body 550 000-EC
- Also available for outdoor use

Combi swivel



Product information

Small and flexible swivel with friction set. Swivel function inside the cone, bottom of swivel made customized.

Name	Product code
Combi swivel	470 XXX/

Specifications

- Upper screw for friction set.
- Bottom of swivel made customized e.g. for legs, center tube, base or other cone.
- Material: FE and POM.
- Patented.
- Euro cone slightly corrosion resistant.
- Suitable for heavy chairs and/or occupants.

Options

- Eurocone or Gascone.
- Combi swivel together with any Easy swivel body or Piccolo swivel body.
- Combi swivel together with Column adapter cone in a base D5012616-470.
- Combi swivel with SuperNova base, or with a screw connection to a flat base.
- For implementation help, ask our personnel!
- Also available for outdoor use.



Round
Ø50

Round
Ø40

Square
40x40

Square
45x45



Piccolo swivel
body

Column adapter
Ø50

Supernova center
or screw connection/
customized

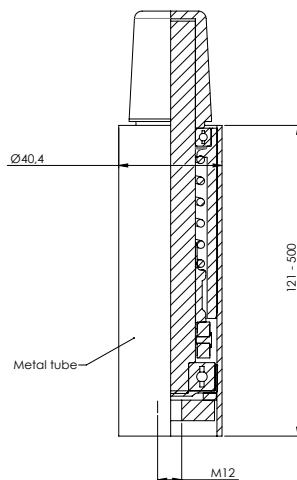
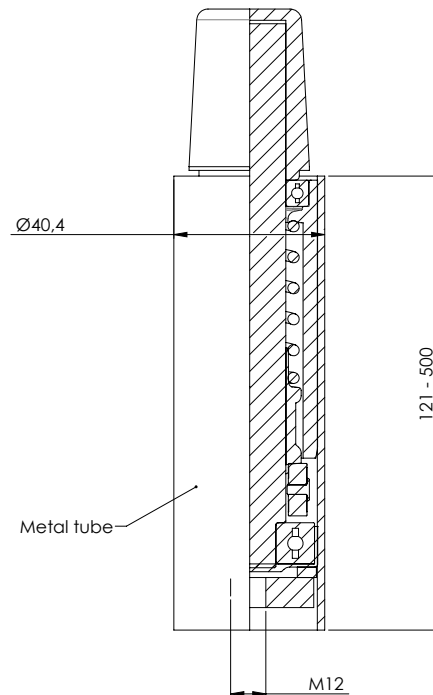


M12
Screw connection



Customized
lower part

Minima swivel



Product information

Swivel with automatic return mechanism, Ø40mm.

Name	Product code
Minima swivel	480 001
Automatic return mechanism >360°, without tube.	
Minima swivel in black M12-washer tube	480 121M12

Specifications

- Outer cylindrical metal tube diameter 40*2mm, calibrated.
- Minimum length 121mm with washer bottom.
- Materials: steel, composite and plastics.
- REACH-compliant.

Options

- Upper cone
- Length of pipe.
- Pipe bottom: welded washer.
- Surface: raw, powder coated, chromed, other.
- Possible to buy mechanism without metal tube for customized solutions.
- Cone information: page 32.
- Ask for our assembly instructions

**Presenting New Members
in the Origo Swivel Family**



**Our Smallest Chair Swivels
with New Connection Option**

Origo swivel



Product information

Swivel available with automatic return mechanism, adaptable for a high base with center hole Ø40mm, Ø45mm and Ø50mm with taper 1°26'16".

Name	Product Code
Origo swivel D50 Automatic return mechanism >360°	850 000
Origo swivel D50 Swivel-only, rotating >360°	855 000
Origo swivel D45 (44.5mm) Automatic return mechanism >360°	880 000
Origo swivel D40 Automatic return mechanism >360°	840 000

Specifications

- Material: metal, composite, POM.
- Color: black
- 1°26'16"
- REACH-compliant
- Outer metal tube with black painted surface
- Swivel height over base surface approx. 15mm.

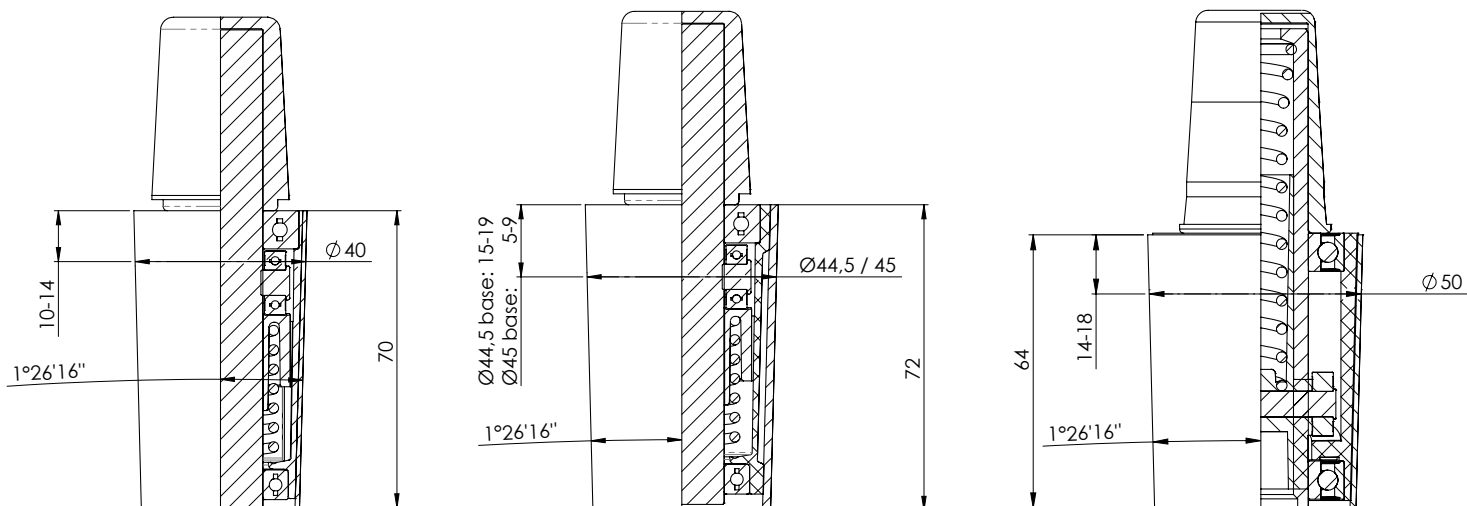
Options

- Upper cone
- Plate connection available for D40 and D45
- Hole pattern for plate connection
4pcs *8mm @130*130mm.

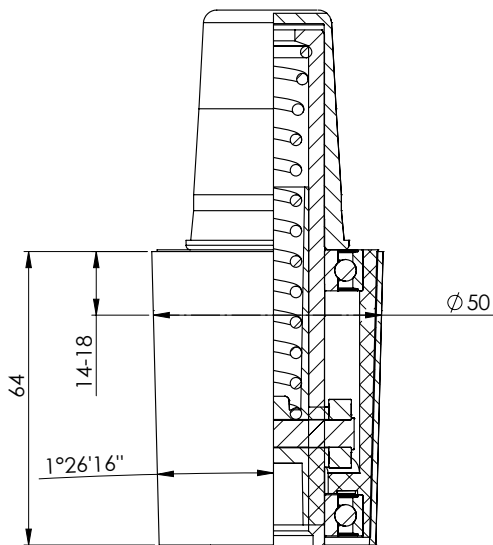
Assembling instructions

- Ask for our assembly instructions

Origo swivel



Origo 4Stop swivel



Product information

Swivel with four stops (each 90°:s). Suitable for swivel chairs with four legs and castors – the chair seat will always be in a proper position towards its base.

Name	Product code
Origo 4Stop >360° with 4pcs stops	850 400
Origo 4Stop >360° with 4pcs stops and stability washer	850 400W

Specifications

- Material: metal and POM
- Color: black
- 1°26'16"
- REACH-compliant
- Outer metal tube with black painted surface
- Swivel height over base surface approx. 15mm.

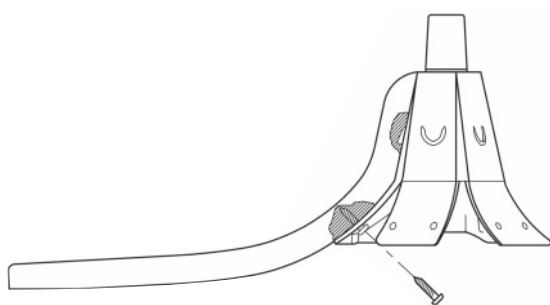
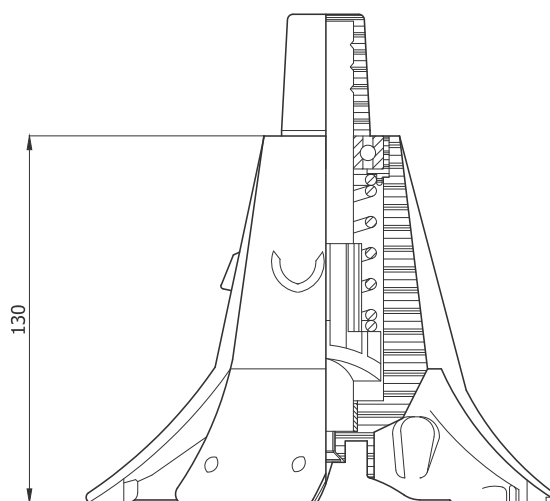
Options

- Upper cone
- Without outer metal tube

Assembling instructions

- Ask for our assembly instructions

Eifel swivel



Assembling instructions

- Swivel to be assembled to footblades with 15pcs wooden screws 5.0*25 (3pcs per footblade)

Product information

Swivel available with automatic return mechanism, for five bended veneer footblades.

Name	Product Code
Eifel swivel	292 000
Automatic return >360°	

Eifel swivel	289 000
Rotation >360°	

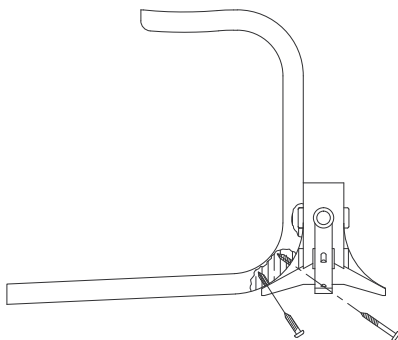
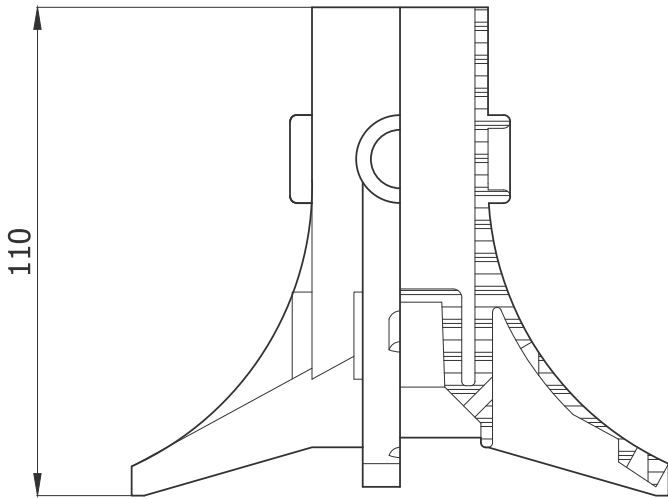
Specifications

- Swivel for five pcs bended wooden legs
- Material: composite
- Color: black
- Screws included
- Patented
- No visible screws
- Height with footblades approx. 180mm
- Drawing for bended veneer footblades available

Options

- Upper cone
- Automatic return function: light, medium or heavy
- High precision cam
- Foot blades in own design

Tetra footstool



Assembling instructions

- Center to be assembled to footblades by 4pcs wooden screws 5.0*25 and 4pcs 4.5*40/50mm

Product information

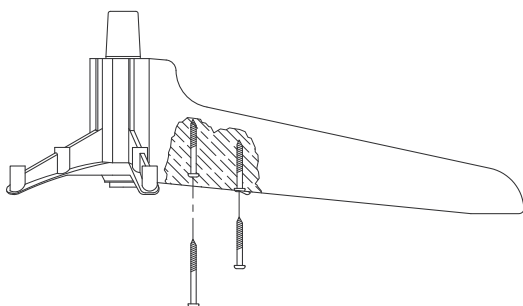
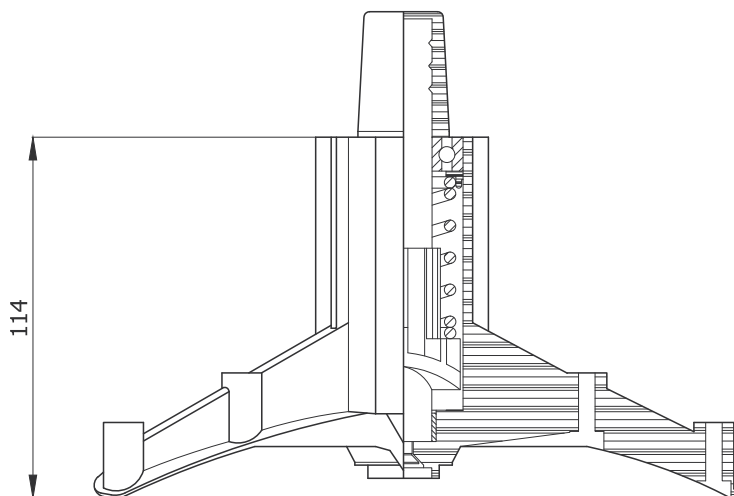
Center piece for chair footstool for four banded veneer footblades.

Name	Product code
Tetra	321 000

Specifications

- Footstool center for 4pcs banded veneer footblades
- Material: composite
- Color: black
- Screws: included
- Patented
- No visible screws
- Drawing for banded veneer footblades available

Octopus swivel



Assembling instructions

- Swivel to be assembled to footblades with 10pcs wooden screws: 5pcs 5.0*50/30 and 5pcs 5.0*60/36

Product information

Swivel available with automatic return mechanism, for five solid wooden footblades.

Name	Product Code
Octopus swivel Automatic return >360°	339 000
Octopus swivel Rotation >360°	339 555

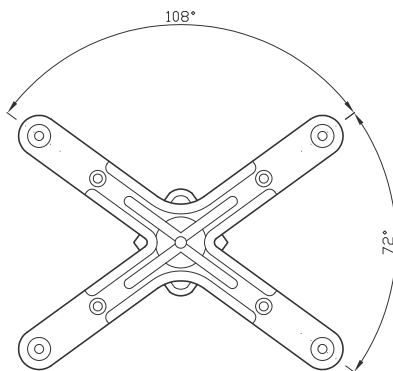
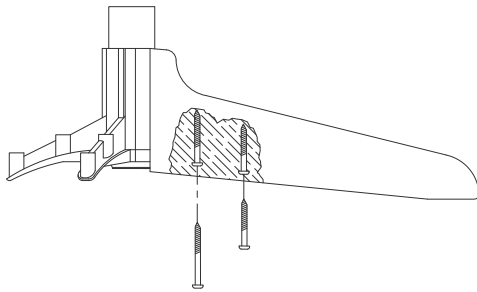
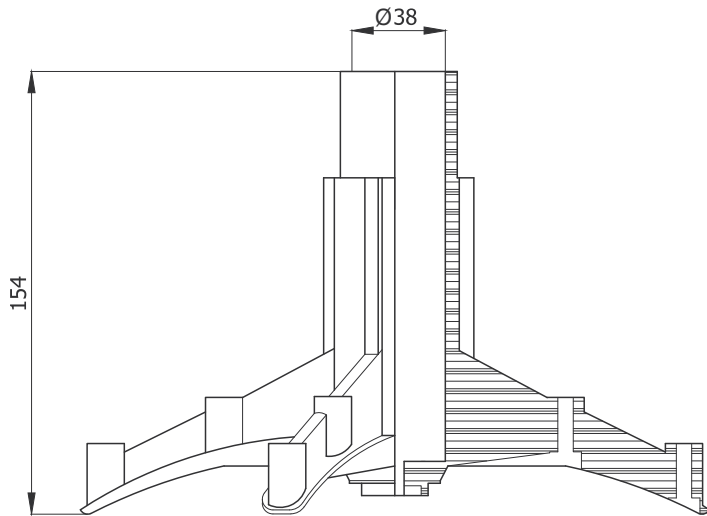
Specifications

- Swivel for five pcs solid wooden legs
- No visible screws
- Material: composite
- Color: black
- Screws included
- Patented

Options

- Upper cone
- Automatic return function: light, medium or heavy
- Drawings for solid footblades available
- Prototype footblade sample set available
- High precision cam

Octopus footstool



Assembling instructions

- Center to be assembled to footblades by 8pcs wooden screws: 8pcs 5,0*50/30

Product information

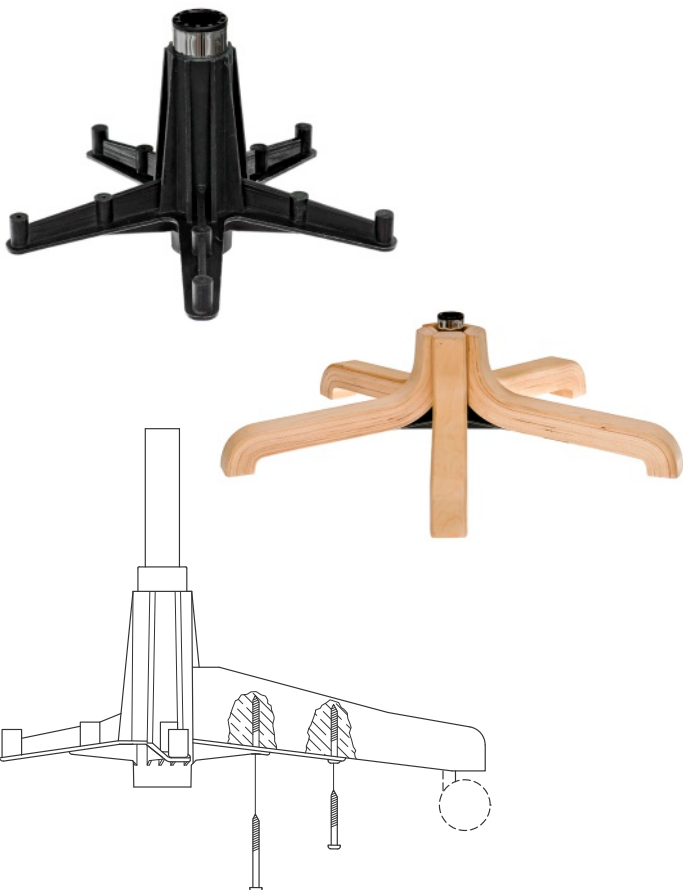
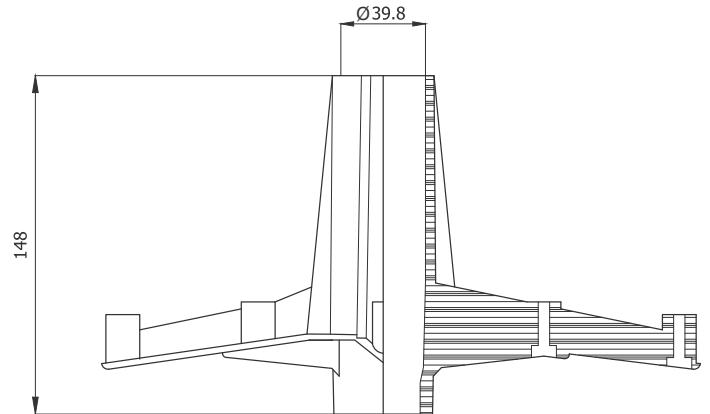
Center piece for chair footstool, for four solid wooden footblades.

Name	Product code
Octopus	339 500

Specifications

- Footstool center for 4pcs solid footblades
- No visible screws
- Material: composite
- Color: black
- Screws: included
- Patented
- Drawing for solid footblades available
- Prototype footblade sample set available

Office Column



Assembling instructions

- Swivel to be assembled to foot blades with 10pcs wooden screws: 5pcs 5,0*50/30 + 5pcs 5,0*60/36

Product information

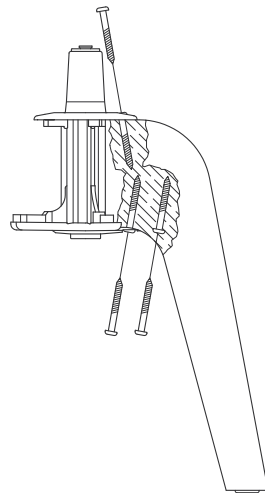
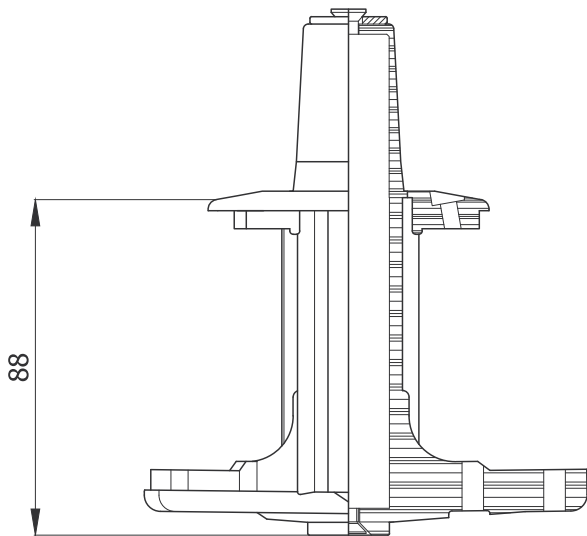
Center column for gas lift spring for chair with five veneer/solid wooden foot blades.

Name	Product Code
Office Column	334 000

Specifications

- Swivel for office chair base with five pcs solid wooden legs
- Center hole for e.g. gas lift spring, Ø39.8mm
- No visible screws
- Material: composite
- Color: black
- Screws included
- Patented
- Drawings for solid foot blades available

Ragno swivel



Product information

Swivel for Japanese dining chair with five solid wooden foot blades.

Name
Ragno

Product code
369 000

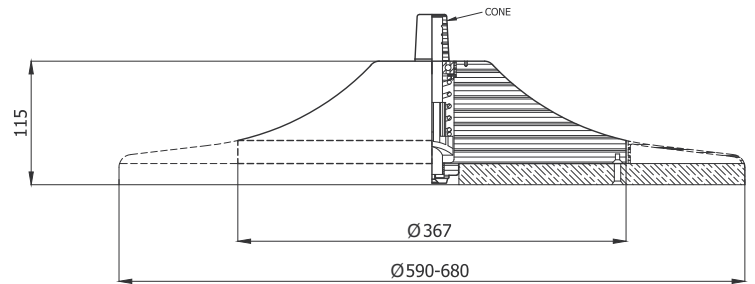
Specifications

- Footstool center especially designed for Japanese dining chairs with 5pcs solid foot blades
- No visible screws
- Material: composite
- Color: black
- Patented
- Eurocone
- Drawing for solid foot blades available

Assembling instructions

- Swivel to be assembled to foot blades by 15pcs wooden screws 5.0*x, length depending on foot blade model

Trumpet swivel base



Product information

Swivel/base available with automatic return mechanism.
To be upholstered.

Name	Product Code
Trumpet swivel / base Automatic return >360°	293 000
Trumpet swivel / base Rotation >360°	293 555
Trumpet outer ring	293 002

Specifications

- Base to be upholstered, with built-in swivel
- Material: composite
- Color: black
- Patented

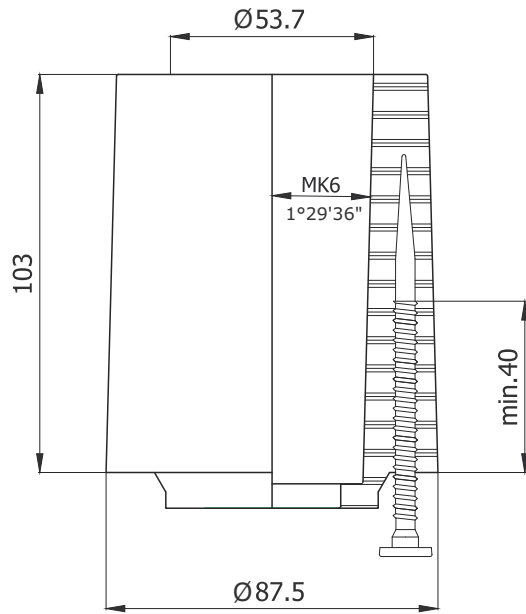
Options

- Upper cone
- Automatic return: light, medium or heavy
- Outer ring for assembling
- High cam precision

Assembling instructions

- Swivel to be fastened to veneer plate With 6pcs wooden screws 5.0*40
- 20mm round veneer plate needed for upholstery

Cylindo Column



Assembling instructions

- Can be combined with Patron Release swivels, Stop Unit and Senior Height Unit
- Assembling to chair base with 6pcs Mekrapid screws 6,5*80mm, inset 5mm
- Hole for base, pattern Ø 70,0mm, 6pcs

Product information

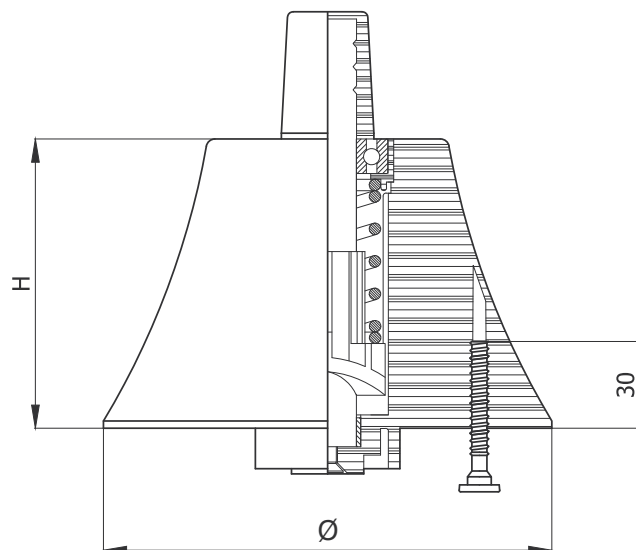
Center Column for base and Patron swivel.

Name	Product code
Cylindo Column	395 100

Specifications

- Material: composite
- Color: black
- Surface: no structure
- Center hole MK6 = 1°29'36" (=Patron swivel)
- Screws included

Cornet swivel



Assembling instructions

- Swivel to be assembled to chair base with 6pcs Mekrapid screws 6,5*50, inset 5mm (exception: 75mm high Cornet requires normal wooden screws 6.0*50mm)
- Hole pattern for swivel, Ø 104,0, 6pcs

Product information

Swivel available with automatic return mechanism.

Cornet swivel, with automatic return 360°

Height [mm]	Ø [mm]	Product code
75	154	440 075 *
100	154	440 100
125	172	440 125

Cornet swivel, rotation 360°

Height [mm]	Ø [mm]	Product code
75	154	450 075 *
100	154	450 100
125	172	450 125

- Note! Center of base for this swivel model must be min. 45mm high.

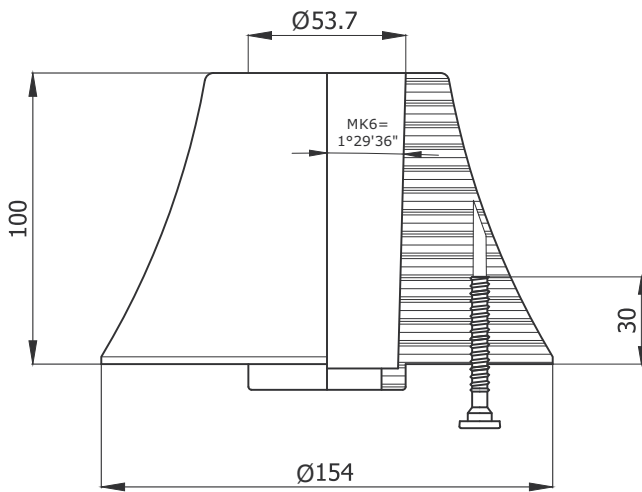
Specifications

- Material: metal and composite
- Color: black
- Surface: wooden structure (imitation)
- Screws: included
- Patented

Options

- Upper cone
- Automatic return function: light, medium or heavy
- Also available with release function on auto-return mechanism
- High precision cam

Cornet Column



Product information

Center Column for base, available with swivel with automatic return or height adjustment.

Name	Product Code
Cornet Column	44X 100

Specifications

- Column to be combined with other Mekrapid functions – giving new movements without changing the look of the chair
- Material: composite
- Color: black
- Surface: wooden structure (imitation)
- MK6 = 1°29'36"
- Screws included

Options

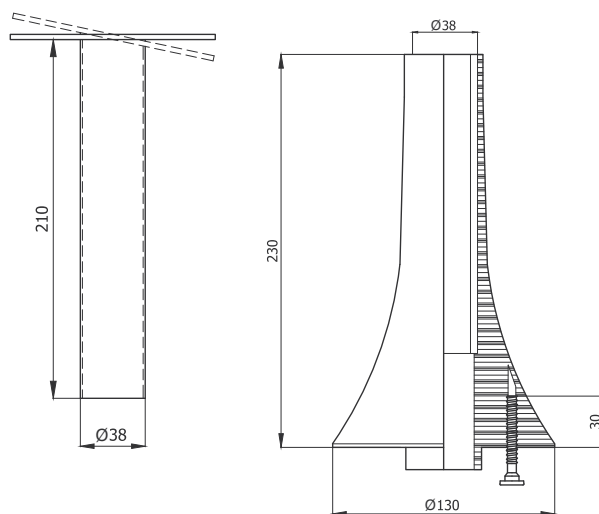
- See swivel pages Patron Release, Stop Unit and Senior Height Unit
- Upper cone



Assembling instructions

- Swivel to be assembled to chair base with 6pcs Mekrapid screws 6,5*50, inset 5mm
- Hole pattern for swivel, Ø 104,0, 6pcs

Cornet footstool



Assembling instructions

- Pipe to be pressed into footstool center
- Can be used together with Skeleton footstool frame and adapter
- Hole pattern for center, Ø 80,0, 3pcs
- Footstool to be assembled to base with 3pcs Mekrapid screws 6,5x50 insex 5mm

Product information

Center for chair footstool base, compatible with the Cornet swivel set.

Name	Product code
Cornet footstool	441000
Metal pipe 0°	441038-0
Metal pipe x°	441038-x

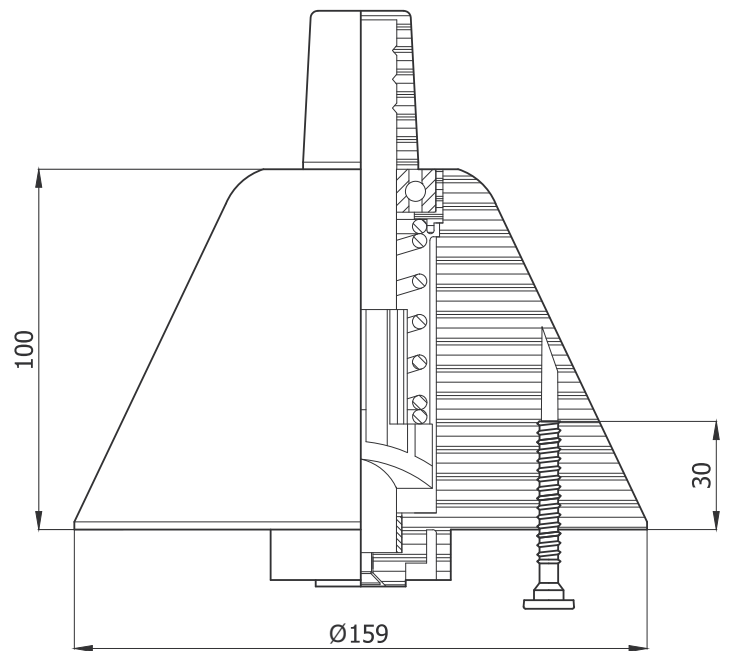
Specifications

- Material (center): composite
- Color (center): black
- Surface (center): wooden structure (imitation)
- Screws: included
- Material (pipe): metal
- Color (pipe): painted black
- Pipe: Ø38*1,25, l=210mm
- Plate size: 120*120*3mm, 4pcs holes at 96*96mm

Options

- Pipe with 0° or x° inclination according to request

Ayers swivel



Product information

Swivel available with automatic return system for chair base.

Name	Product Code
Ayers swivel Automatic return >360°	140100

Ayers swivel Rotation >360°	150100
--------------------------------	--------

Specifications

- Material: composite
- Color: black
- Surface: sanded structure (imitation)
- Screws included
- Patented system

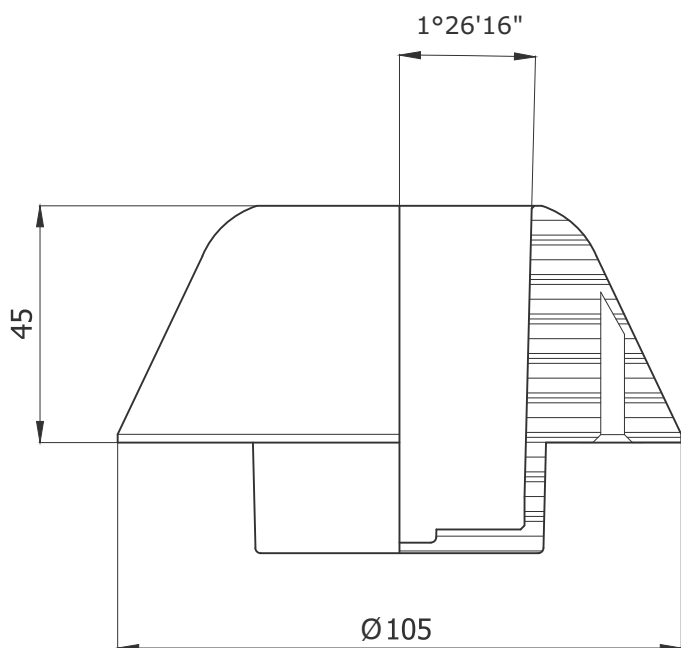
Options

- Upper cone
- Automatic return function: light, medium or heavy
- High precision cam

Assembling instructions

- Swivel to be assembled to chair base with 6pcs Mekrapid screws 6,5*50, insex 5mm
- Hole pattern for swivel, Ø 104,0, 6pcs

Uluru Column



Assembling instructions

- Max 21mm thread engagement depth
- Center column to be assembled to base with 3pcs Mekrapid screws 6.5*40mm, insex 5mm. Please note that screws may have to be shorter if base is thin!
- Hole pattern for Column, Ø 80,0, 3pcs

Product information

Center column compatible with gas spring or metal pipe.

Name	Product code
Uluru	140 500

Specifications

- Fitting for chair base with gas lift or metal pipe
- Material: composite
- Surface: sanded structure (imitation)
- Color: black
- Center hole angle: 1° 26' 16"
- Screws: included

Options

- Center pillar gas spring or metal pipe

Female Eurocones

Product information

Female cone for Eurocones and Gascones.

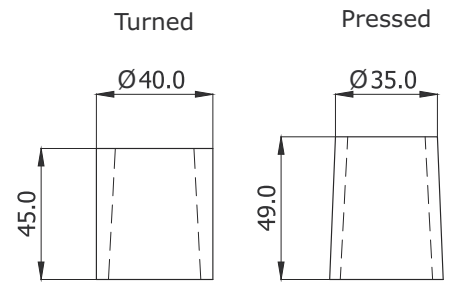
Eurocone, pressed	351500-EC
Eurocone, turned	351500-ECS
Eurocone, turned with M6	351500-ECSM6 (not with Piccolo 510 000)
Gascone, turned	351500-GASS

Specification

- Material: FE.
- Standard color: raw metal.

Assembling

- To be welded to chair metal frame.
- May need to be reamed after welding



Product information

Female cone for Gascones.

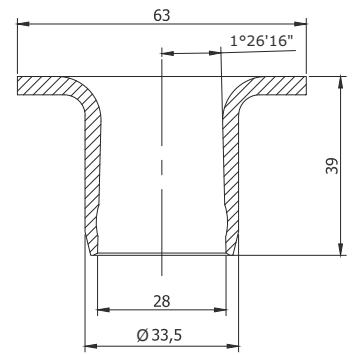
Gascone	351700-GAS
---------	------------

Specification

- Material: FE.
- Standard: raw metal.

Assembling

- To be welded to chair metal frame.



Product information

Female cone for bar chairs.

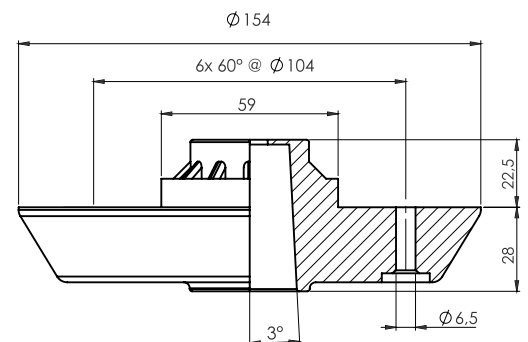
Female fastening disc	336 951
-----------------------	---------

Specification

- Material: composite.
- Color: black.

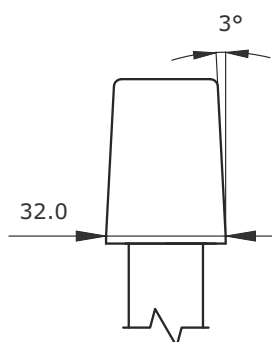
Assembling

- To be fastened to chair frame with screws. Wooden screws (Ø5mm), type depending on chair construction.
- Hole picture

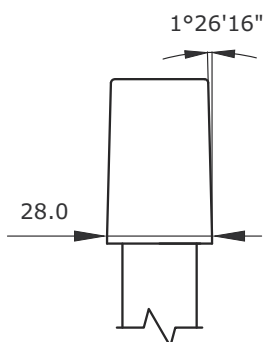


Swivel cone models

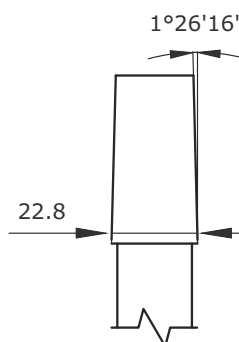
Eurocone	GAScone	MC3	MC4
----------	---------	-----	-----



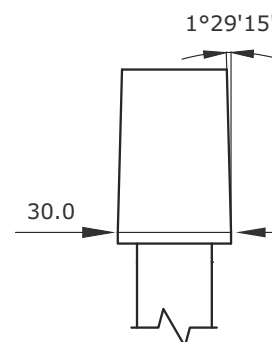
Material: composite



Material: composite



Material: FE

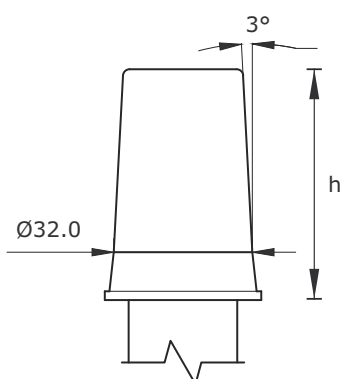


Material: composite.

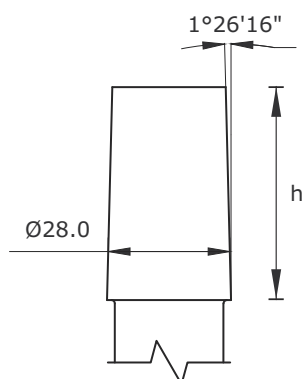
Other cones on request.

Cone types for Piccolo & Origo swivels

Eurocone	GAScone
----------	---------



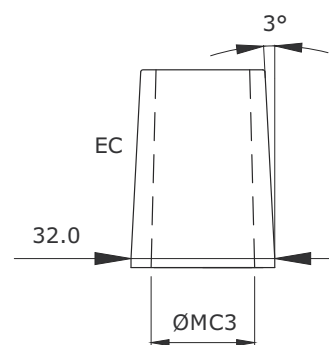
Material: composite



Material: FE

Other cones

Eurocone - MC3 adapter

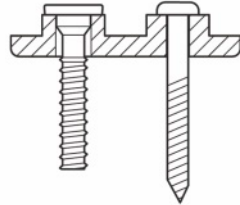


Material: composite

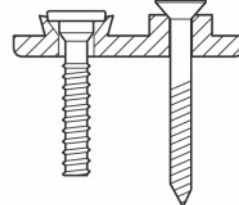
General assembling instructions for composite materials



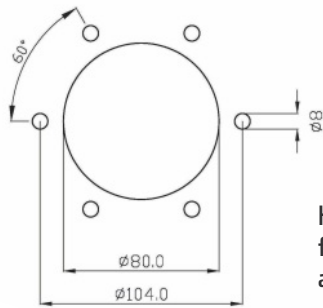
Surface of screw touching composite must be plane.



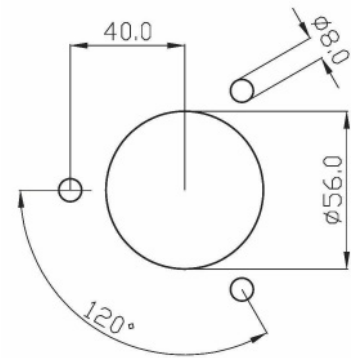
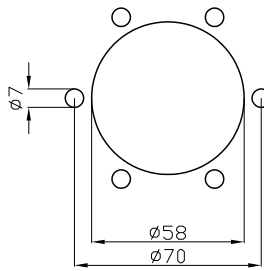
Do not deform the composite by using wrong screws or fastening the screws too hard.



Assembling specifications Swivels and bases	Assembling specifications Cylindo swivel and base	Assembling specifications footstool centers and bases
---	---	---



Hole picture for swivels and bases.



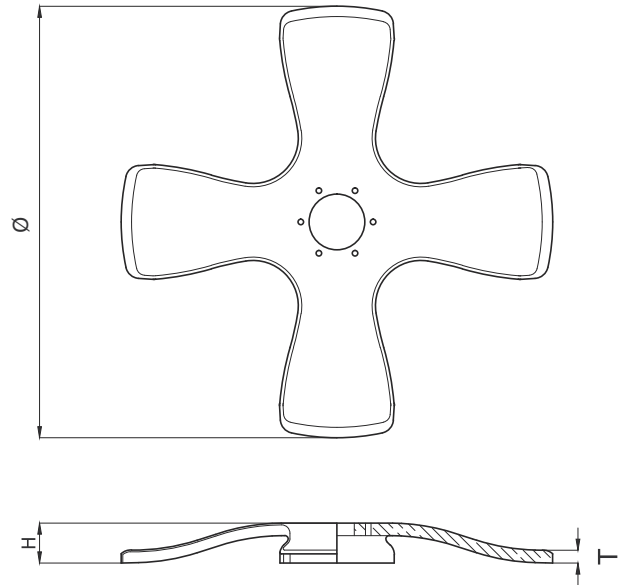
Hole picture for footstool center and bases.



Swivel is to be pressed down, not hammered.

**More assembling instructions:
Ask for more assembling sketches for each product from our personnel!**

4-Star



Product information

Wooden bases with four legs in different wooden surfaces.

Name
4-Star base

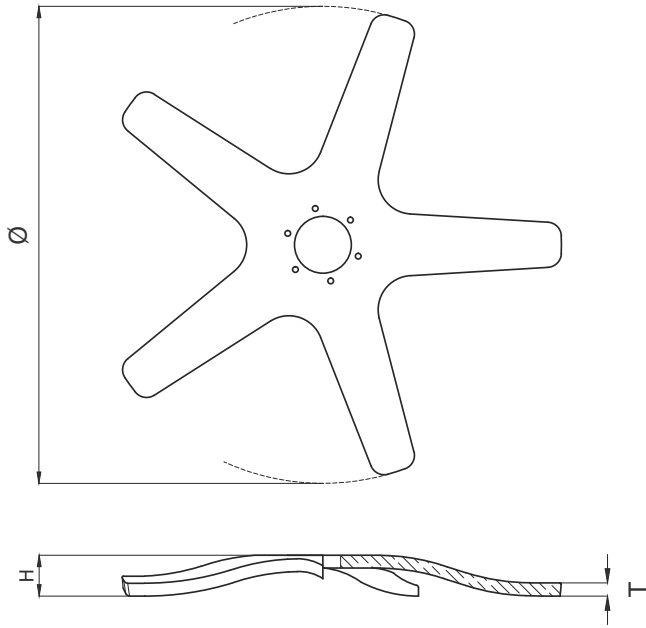
Ø[mm]	Height [mm]	Product code
550	52	441 446
620	57	440 463

Specifications

- Material/surface: veneer, any kind of wood on request
- Center hole pattern Ø80,0mm, 6pcs 80mm @ Ø 104,0mm

Options

- Other sizes and shapes of legs on request
- Surface: sanded, lacquered, stained or painted



Product information

Wooden bases with five/four legs in different wooden surfaces.

Name
5-Star base

Ø[mm]	Height/thickness [mm]	Product code
550	52 / 18	441 546
670	65 / 20	440 563

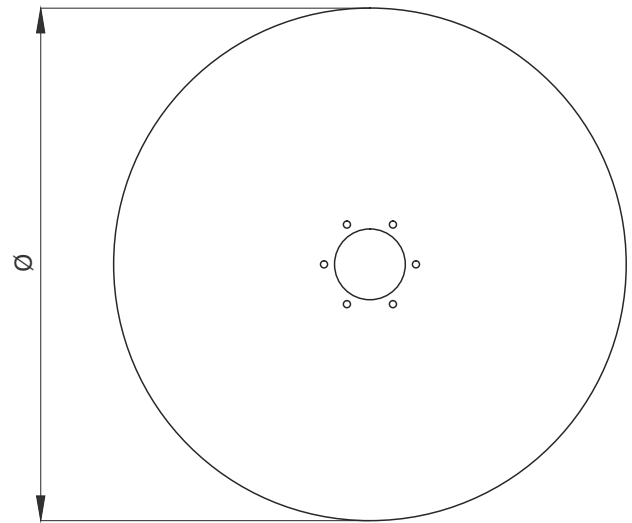
Specifications

- Material/surface: veneer, any kind of wood on request
- Center hole pattern Ø 80,0mm, 6pcs 8mm @ Ø 104,0mm
- Chair base 5 legs, footstool base 4 legs

Options

- Other sizes and shapes on request
- Surface: sanded, lacquered, stained or painted
- Felt pads available

Disco, wood



Product information

Bases in different wooden surfaces.

Name
Disco, wood

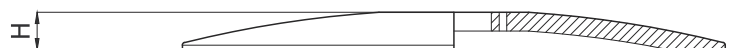
Ø[mm]	Height [mm]	Alt 1/2	Product code
460	35/40		441 146
580	35/40		440158
650	40/45		440 165
670	40/45		440 167

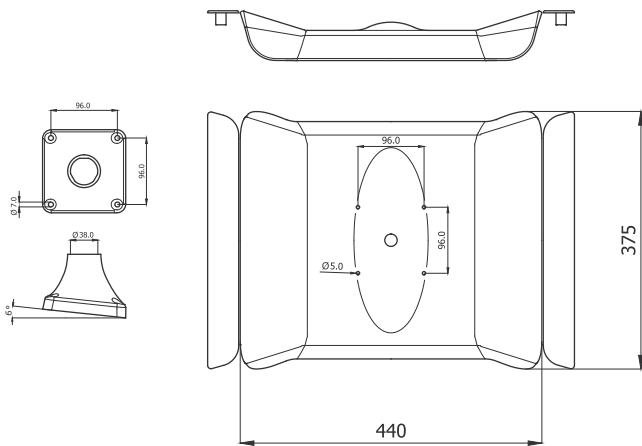
Specifications

- Material/surface: veneer, any kind of wood on request
- Center hole pattern Ø 80,0mm, 6pcs 8mm @ Ø 104,0mm

Options

- Any size (Ø) from 380mm to 670mm available
- Edge cutting: Alternative 1 (slope) or 2 (straight)
- Surface: sanded, lacquered, stained or painted





Product information

Foot stool frame and angle adjuster console (0° /12°).

Name	Product code
Skeleton frame	541100
Skeleton console	541150

Specifications

- Material: composite
- Color: white
- Screws included

Options

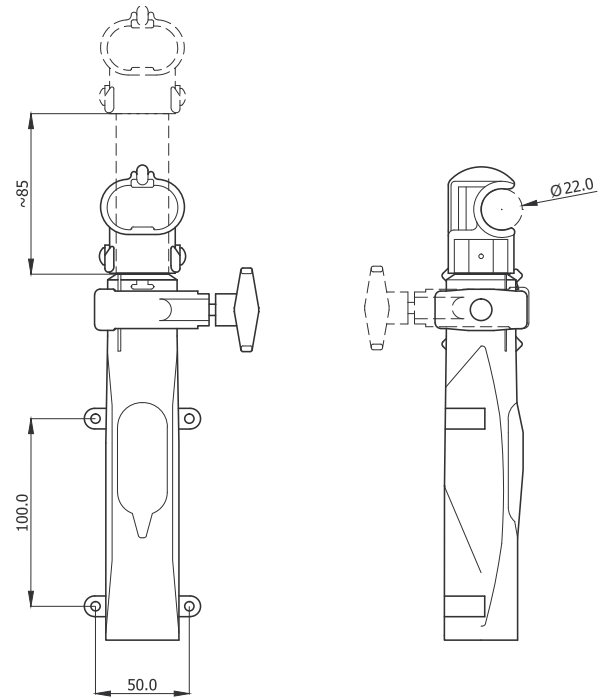
- Assembling angle of frame/console, 0° or 12°
- See Cornet foot stool page
- See dark green pages "bases"

Assembling instructions

- Console to be assembled to frame by 4pcs Mekrapid screws 6,5*35-40mm
- Console to be fastened to footstool center by a Ø38*241mm, metal pipe
- Foam and upholster to be stapled to underside of Skeleton frame (to 6*16mm veneer ribs 2pcs l=37,1mm and 2pcs l=30,2mm)



Linus glide



Product information

Glide mechanism with adjustable friction.

Name	Product code
Linus glide mechanism	368 000

Specifications

- Material: composite
- Color: black
- Gliding function to be adjusted by a knob
- Screws included

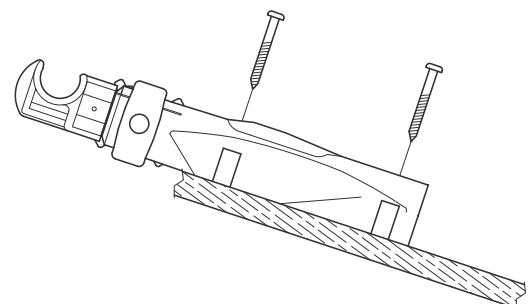
Options

- Customized hook (fastening method to metal frame) on request

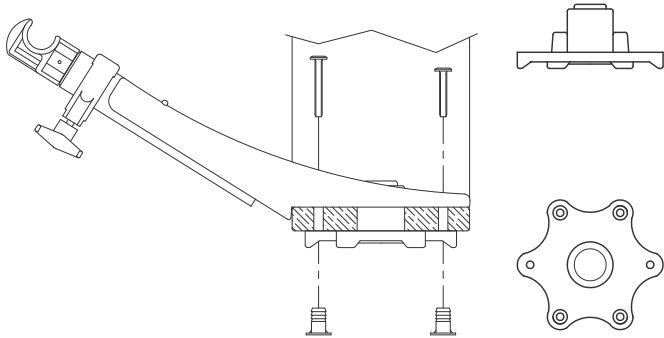
Assembling instructions

- Assembling to wooden console by 4pcs 5,0*40 screws
- Assembling to metal frame by pressing it into the hook
- Inclination preferably 18°

Assembling drawing



Uno glide



Product information

Glide mechanism for recliner chair with wooden U-bow, with adjustable friction.

Name	Product code
Uno glide mechanism	336 503
Cake fastening cone	336 950

Specifications

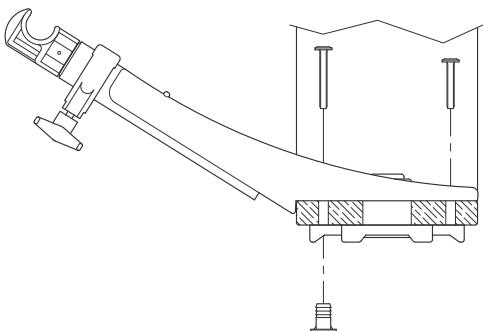
- Material: composite
- Color: black
- Gliding function to be adjusted by a knob
- Screws included

Options

- Customized hook (fastening method to metal frame) on request

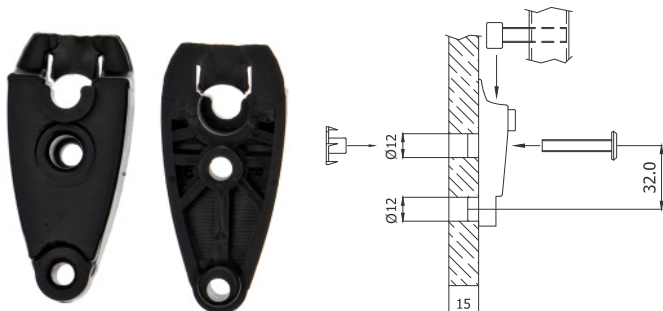
Assembling instructions

- Assembling to wooden U-bow (1): 3pcs M6*40 and 3pcs M6*50mm
- Assembling to metal frame frame (2): by pressing frame into the hook
- Assembling to Cake fastening cone (3): 6pcs M6*14 645A006014N
- Hole picture, see page 33 Technical Details



Hinges

Formula hinge, for assembling to vertical frame component



Product information

Product information	Product code
hinge set	368100
hinge set incl. screws	368100-S

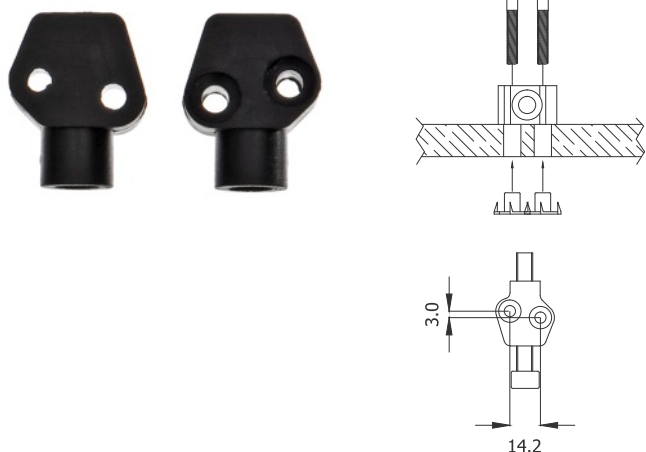
Specifications

- Material: composite
- Color: black

Assembling instructions

To be fastened to chair veneer frame with 1pc M6*35 and 1pc M6 Tee nut with pronges, and to metal frame with 1pc M8*35-60 DIN912.

Sugar Cube hinge, for assembling to horizontal frame component



Product information

Product information	Product code
hinge set	368860
hinge set incl. screws	368860-S

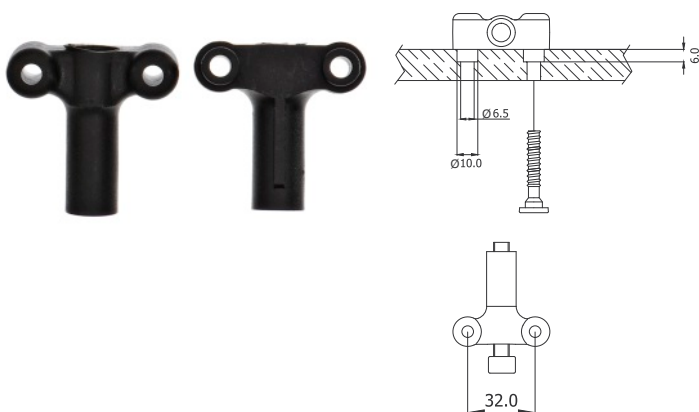
Specifications

- Material: composite
- Color: black

Assembling instructions

To be fastened to veneer armrest with 2pcs screws M5*X and 2pcs M5 Tee nuts with pronges, and to metal frame with 1pc M8*X DIN912.

ET hinge, for assembling to horizontal frame component



Product information

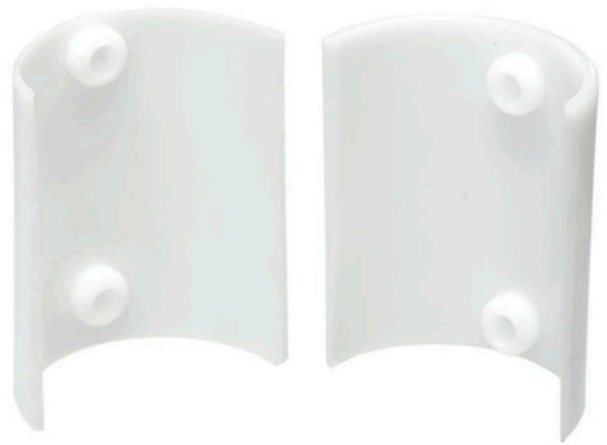
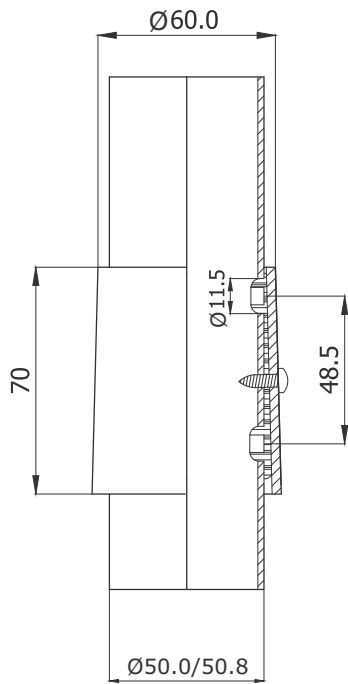
Product information	Product code
hinge set	368300
hinge set incl. screws	368300-S

Specifications

- Material: composite
- Color: black

Assembling instructions

To be fastened to veneer armrest with 2pcs Mekrapid screws 6,5 x 35-40mm and to metal frame with 1pc M8*X DIN. 912.



Product information

Foot rest fitting for bar chairs.

Name	Product code
Esco footrest components	351 900

Specifications

- Material: composite
- Color: white
- Can be used for both 50mm and 50.8mm metal pipes
- MK6 = 1°29'36"

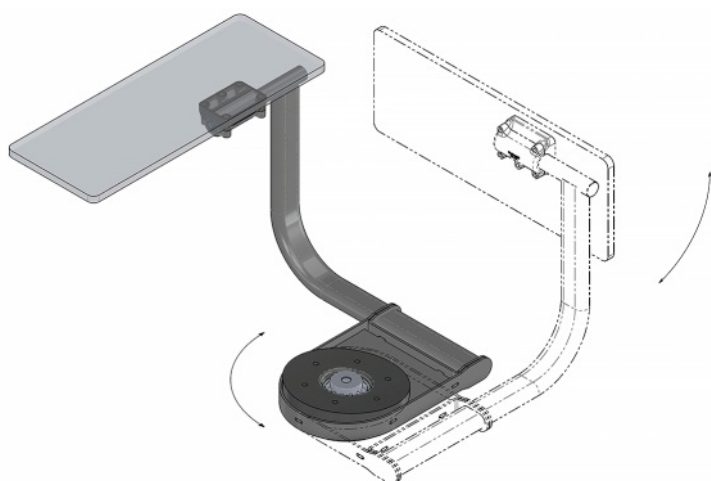
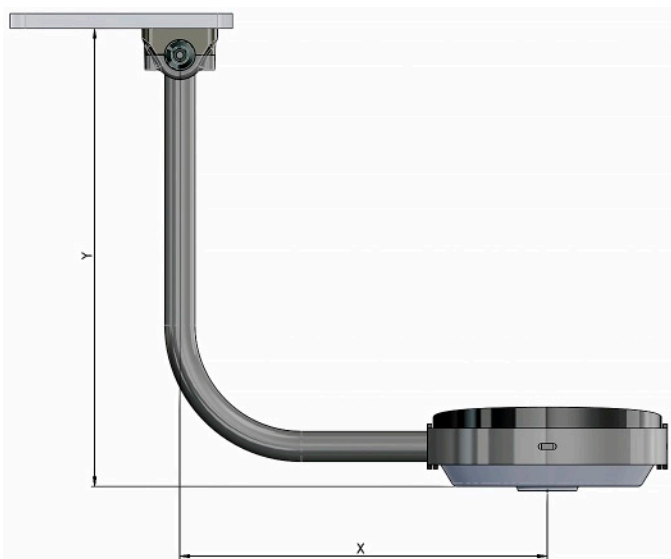
Options

- Esco for other metal pipe diameters on request
- Self threading screw for fastening the unit to the foot rest
- Customized length of covering metal pipe
- Color: black on request

Assembling instructions

1. Esco set to be fastened to center pillar holes.
2. Conical covering metal tube with welded footrest to cover Esco components

Foldable side table



Product information

Components for a foldable and rotating side table, for a chair.

Name	Product code
FST set	535 000

Specifications

- Components included in set:
 - 1pc Bearing housing art.nro 535101, incl. screws
 - 1pc Wedge art.nro. 336 951-W7-2400
 - 1pc Fastening disc art.nro. 336 951
 - 1pc metal shaft art.nro. 211 520-535, Ø20mm L150mm
 - 1pc 90° flatoval metal tube 40*2mm art.nro. 336 981, L315*255mm with welded metal shaft Ø2+mm L150mm
 - 1pc welded frame, art.nro. 535 110
- Material: raw metal and composite
- Color: black composite and raw metal
- REACH-compliant
- Set is delivered unassembled
- Tabletop not included

Options

- Lengths of flatoval tube
- Surface of metal parts powder coated black
- Off set for welded frame 38mm

Assembling instructions

- Ask for our assembly instructions

Contact us!



Sara Maunumäki
International Sales & Marketing Manager
sara.maunumaki@mekrapid.fi
+358 44 7889 751



Fredrika Furu
Managing Director
fredrika.furu@mekrapid.fi
+358 500 362 510



Alfred Kjellman
Technical Director
alfred.kjellman@mekrapid.fi
+358 50 5486 268

Reference customers

CONFORM®

mobitec

SINCE 1990

studio T

bert plantagie

signature®
bewegende Formen

LEPO

nola®

FUJI FURNITURE

COMPOFFICE
design components SINCE 1969

mitab

LAMMHULTS

Contact our agents worldwide!

● Here we are

Mekrapid Products

Depågatan 10
FI-68600 Jakobstad
Finland
info@mekrapid.fi
www.mekrapid.fi

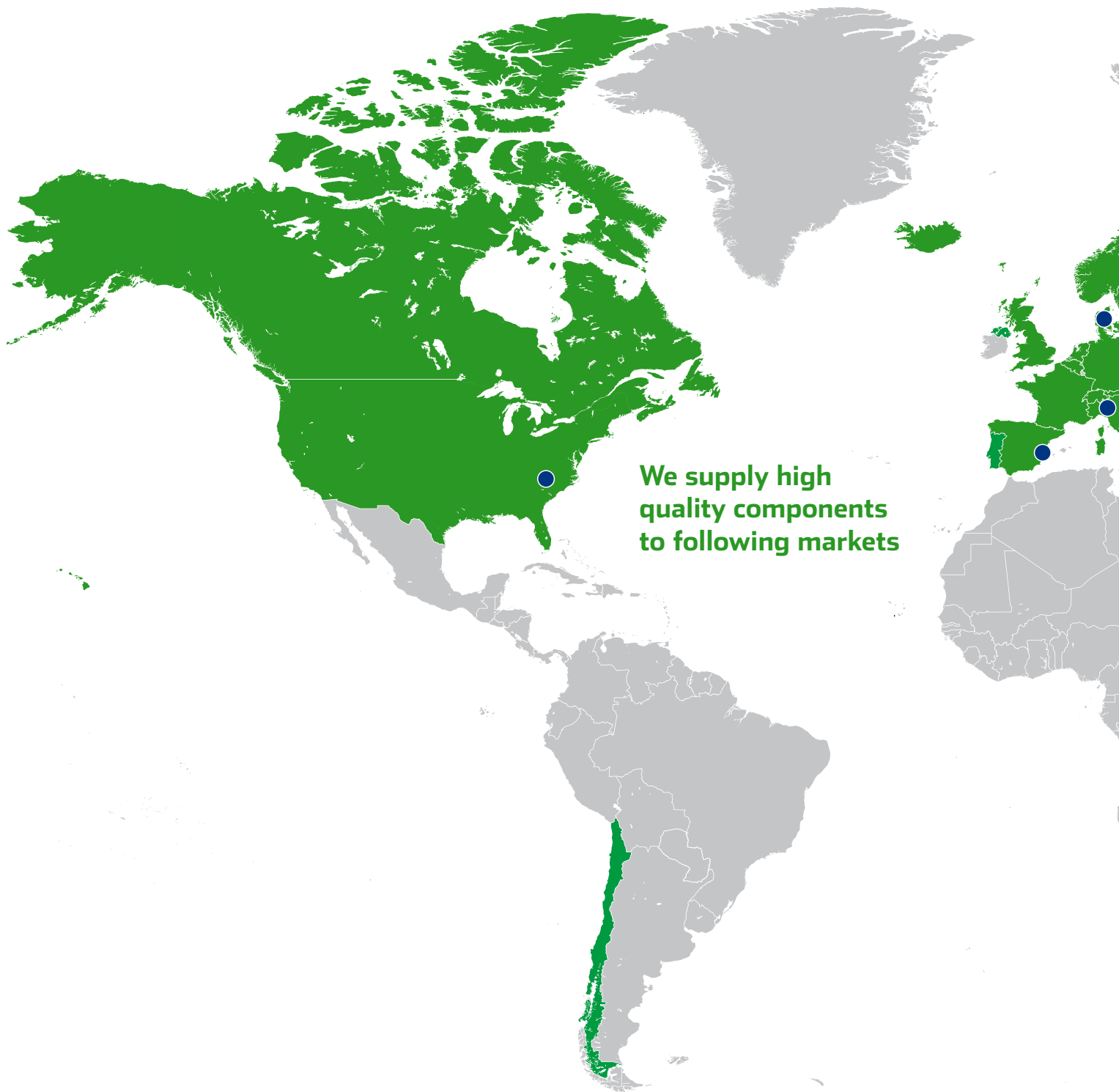
● Spain



Ipea Espana S.A.
Pol. Ind. Vereda Norte
C/Paiporta, 58
46469 Beniparrell, Valencia
Tel: +34 96 1211 975

● Denmark

Ole Pfeiffer Agentur
Strandvejen 22 C
DK-2100 Copenhagen
Tel: +45 2166 5827
Email: ole@pfeiffer.nu



We supply high quality components to following markets

● Italy



Ipea
Via Tagliamento, 22
I-20821 Meda (MI)
Tel: +39 0362 34561
Email: ipea@ipea.it

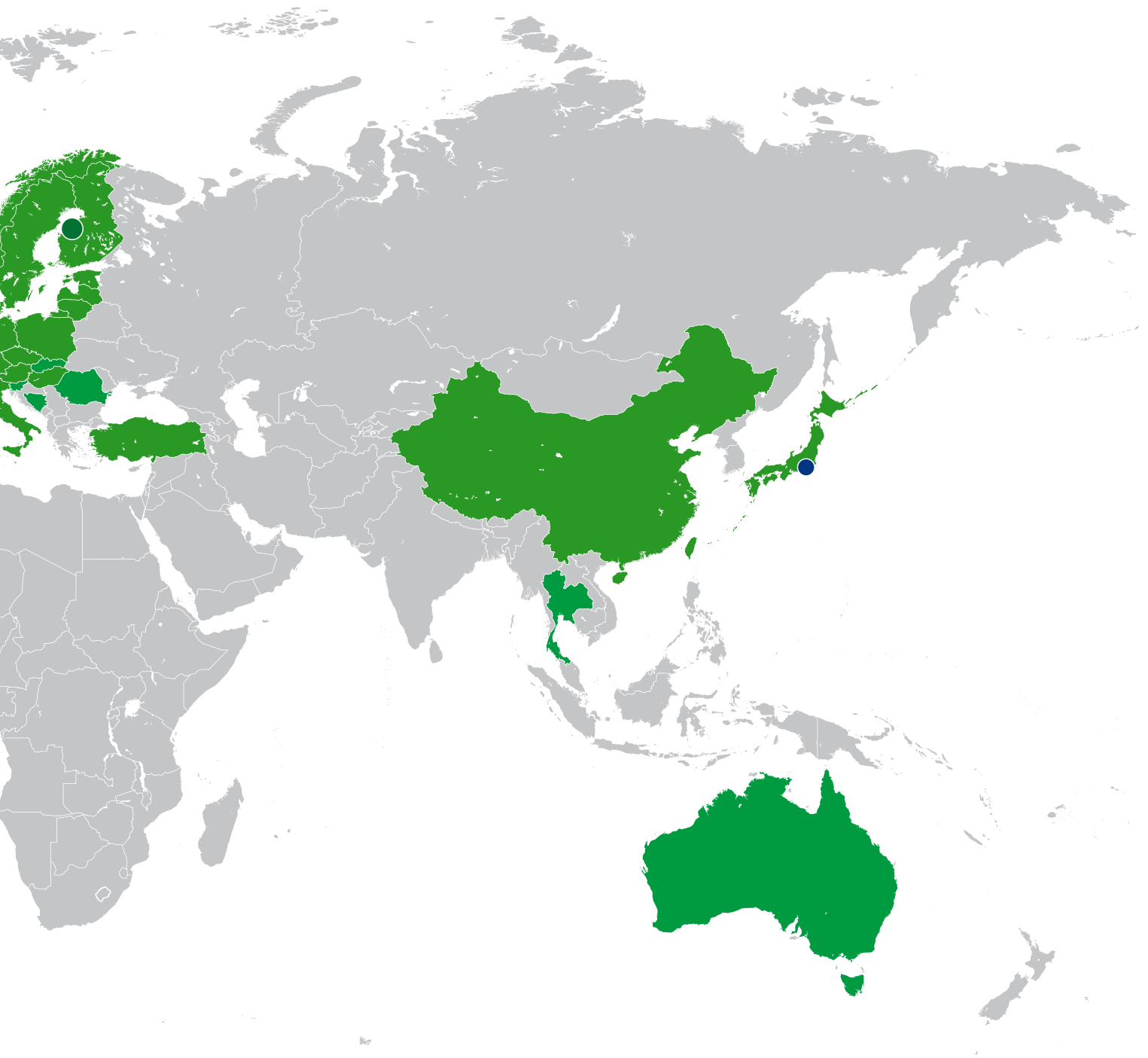
● Japan

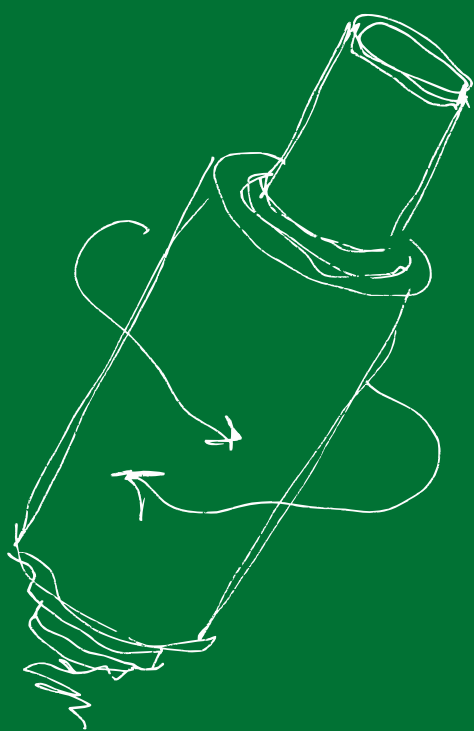
Shizuoka Kinzoku Corp.
Mr Takeshi Sato
52 Saiwai-Cho
Shizuoka City, 420 Japan
Tel: +81 54 2554000
Email: sato-shizuok@mail.wbs.ne.jp

● USA & Canada



Mocean First
Mr Matthew Rollins
1010 Randolph Street
Thomasville NC 27360
Tel: +1 336 475 4440
Email: matt@moceanfirst.com
www.moceanfirst.com





Mekrapid

Mekrapid Products

Depågatan 10

FI-68600 Jakobstad

Finland

+358 6 788 9750

info@mekrapid.fi

www.mekrapid.fi

2024