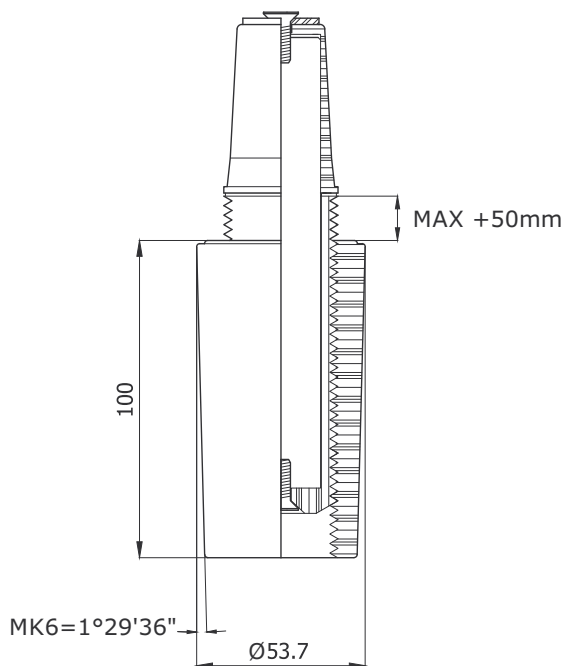


# Senior Height Unit



## Inspiration & Assembling



## Assembling instructions

- Trombone is adaptable with Patron metal tubes, Cornet -, Patron and Cylando Columns
- Trombone is to be pressed into the Columns/pipes
- Do not use fastening screw between cone and female cone

## Product information

Swivel unit for adjusting of chair seat height (at manufacturing stage). Ideal for customized senior or health care seating.

Name	Product code
Trombone Unit	430 100

## Specifications

- Material: composite
- Color: black
- MK6 = 1°29'36" (=Patron swivel)
- Minimum height 0mm from swivel height
- Maximum height +50mm from swivel height
- REACH -Compliant

## Options

- Upper cone
- See Cornet -, Patron - and Cylando Column pages
- 100mm or 140mm center shaft
- Also available with Combi-cone model