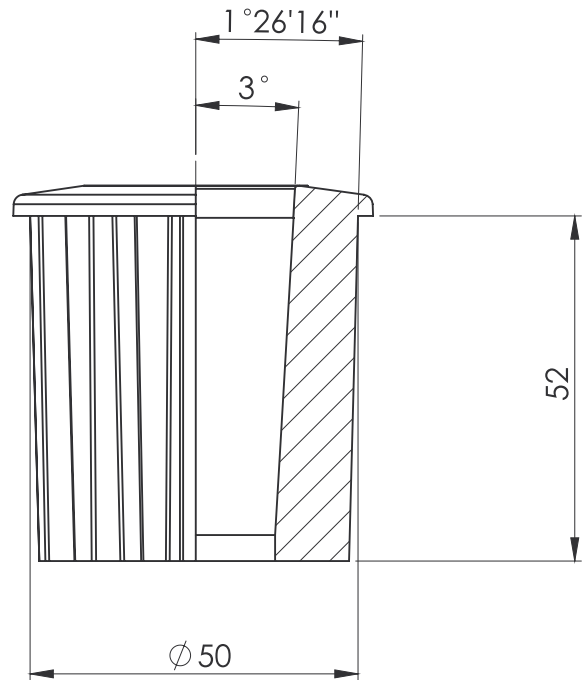


Base & Tube Columns



Inspiration & Assembling



Product information

Adapter column with outer diameter tapered for base center hole, inside Eurocone

Name	Product Code
Column adapter cone Ø50mm	D5012616-EC
Column adapter cone Ø50mm for Combi swivel	D5012616-470

Adapter column with outer diameter for tube, inside Eurocone or Gascone

Specifications

- Material: composite
- Color: black
- REACH-compliant
- Outer dimension for center base hole Ø40mm or Ø50mm
- Innerdimensions Eurocone Ø32mm, 3,000°
- Required base hole tolerances: min. Ø49,6 ... max. Ø50,1mm

Options

- Compatible with any swivel with Eurocone assembled upside down