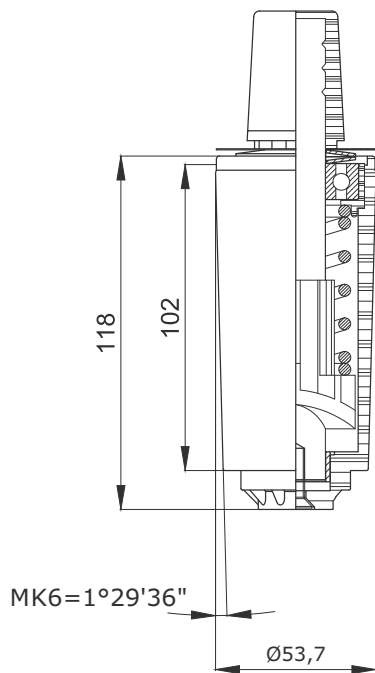


Patron Release swivel



Inspiration & Assembling



Assembling instructions

- swivel is to be assembled in a conical metal tube
- the whole swivel body (102mm) needs the support of a metal tube (or equal support)
- Patron Release could be combined with Patron column, Cylindo column and Cornet column
- Ask for our assembly instructions

Product information

Automatic return swivel with release function. Swivel with automatic return mechanism, adaptable for conical metal tube $\varnothing 50$ - $\varnothing 50.8$ mm.

Name
Patron Release swivel
automatic return $>360^\circ$

Product code
351 000R

Specifications

- Material: metal and composite
- Color: black
- Patented function
- REACH-compliant and part of Svanen-labelled furniture pieces
- Release of auto-return function at approx. 35kg weight

Options

- Upper cone
- High precision cam