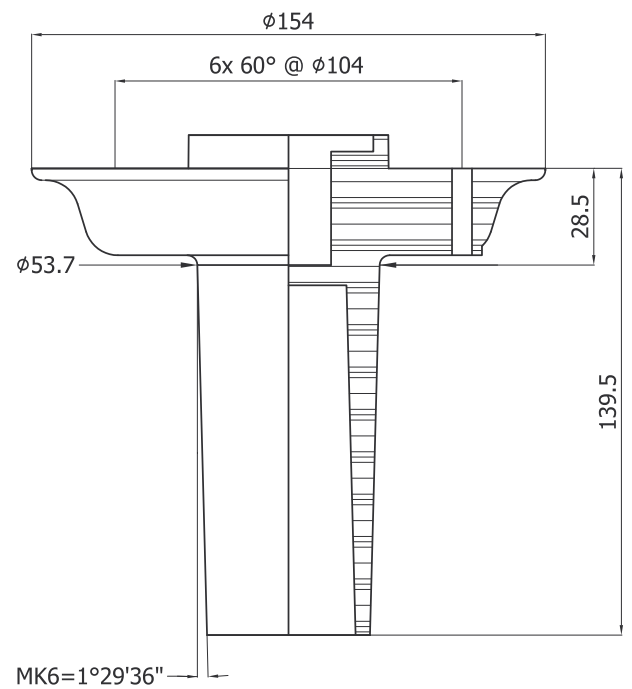


Stop Unit



Inspiration & Assembling



Assembling instructions

- Stop Unit could be combined with Cyllindo Column, Cornet Column, Patron Column and metal 50/76,1mm tubes
- Stop Unit to be fastened to chair seat/frame with
Alt.1: 6pcs wooden screws 5*50mm from above or
Alt.2: 6pcs M6*35mm from underneath
- Hole pattern for swivel, Ø 104,0, 6pcs

Product information

Center unit for non-swiveling chair seats.

Name	Product code
Stop Unit	351 951

Specifications

- Material: composite
- Color: black
- MK6 = 1°29'36" (=Patron swivel)
- REACH -Compliant

Options

- See pages metal tubes and Cyllindo -, Cornet - and Patron Column