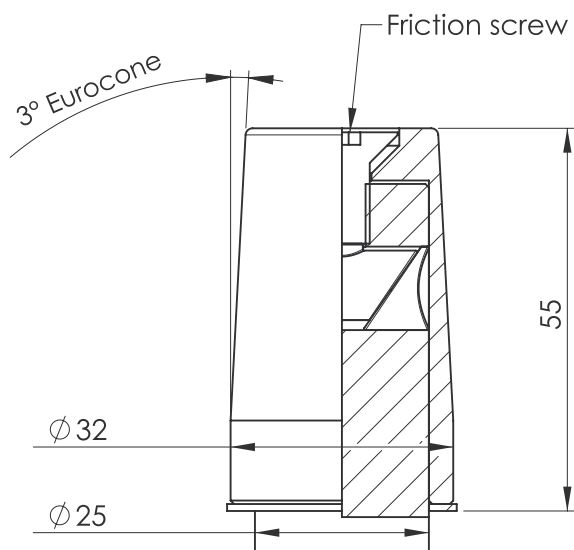


# Combi swivel



## Inspiration & Assembling



Round  
Ø50

Round  
Ø40

Square  
40x40

Square  
45x45



Piccolo swivel  
body

Column adapter  
Ø50

Supernova center  
or screw connection/  
customized



M12  
Screw connection



Customized  
lower part

## Product information

Small and flexible swivel with friction set. Swivel function inside the cone, bottom of swivel made customized.

**Name**  
Combi swivel

**Product code**  
470 XXX/

## Specifications

- Upper screw for friction set.
- Bottom of swivel made customized e.g. for legs, center tube, base or other cone.
- Material: FE and POM.
- Patented.
- Euro cone slightly corrosion resistant.
- Suitable for heavy chairs and/or occupants.

## Options

- Eurocone or Gascone.
- Combi swivel together with any Easy swivel body or Piccolo swivel body.
- Combi swivel together with Column adapter cone in a base D5012616-470.
- Combi swivel with SuperNova base, or with a screw connection to a flat base.
- For implementation help, ask our personnel!
- Also available for outdoor use.