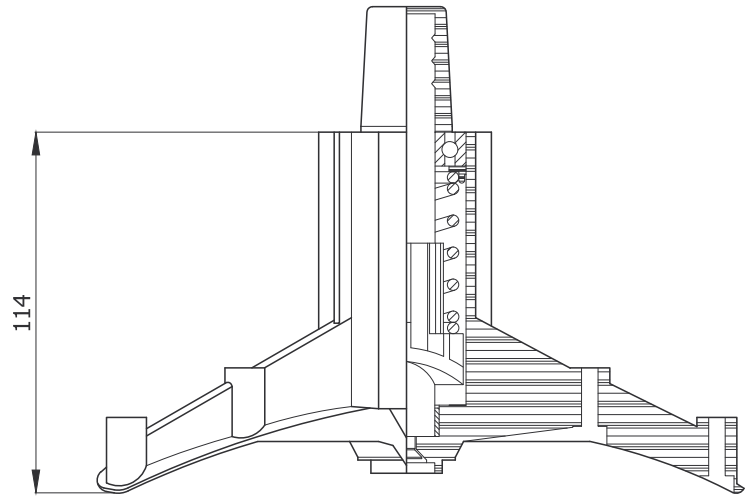
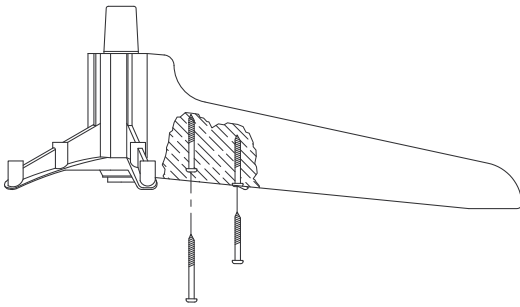


Octopus swivel



Inspiration & Assembling



Assembling instructions

- Swivel to be assembled to footblades with 10pcs wooden screws: 5pcs 5.0*50/30 and 5pcs 5.0*60/36

Product information

Swivel available with automatic return mechanism, for five solid wooden footblades.

Name	Product Code
Octopus swivel	339 000
Automatic return >360°	

Octopus swivel	339 555
Rotation >360°	

Specifications

- Swivel for five pcs solid wooden legs
- No visible screws
- Material: composite
- Color: black
- Screws included
- Patented

Options

- Upper cone
- Automatic return function: light, medium or heavy
- Drawings for solid footblades available
- Prototype footblade sample set available
- High precision cam