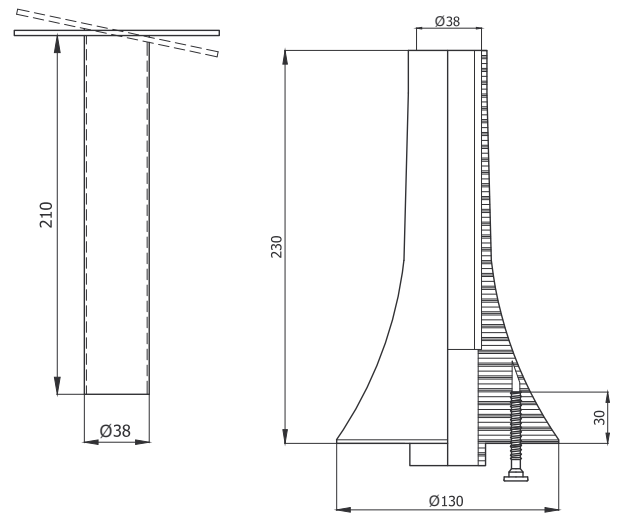


Cornet footstool



Inspiration & Assembling



Assembling instructions

- Pipe to be pressed into footstool center
- Can be used together with Skeleton footstool frame and adapter
- Hole pattern for center, Ø 80,0, 3pcs
- Footstool to be assembled to base with 3pcs Mekrapid screws 6,5x50 insex 5mm

Product information

Center for chair footstool base, compatible with the Cornet swivel set.

Name	Product code
Cornet footstool	441000
Metal pipe 0°	441038-0
Metal pipe x°	441038-x

Specifications

- Material (center): composite
- Color (center): black
- Surface (center): wooden structure (imitation)
- Screws: included
- Material (pipe): metal
- Color (pipe): painted black
- Pipe: Ø38*1,25, l=210mm
- Plate size: 120*120*3mm, 4pcs holes at 96*96mm

Options

- Pipe with 0° or x° inclination according to request