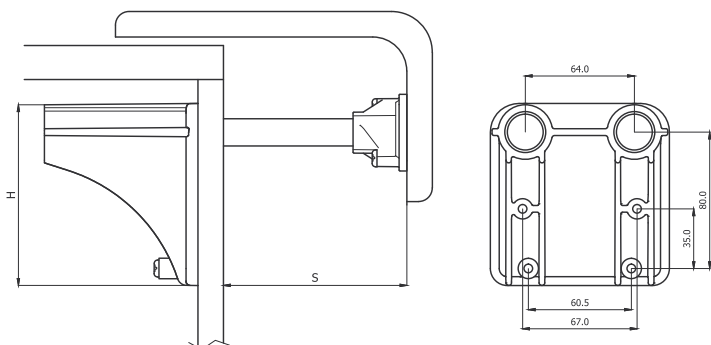


Rail System



Inspiration & Assembling



Product information

Component for arm rest with e.g. hidden drink holder. The shafts pushes the arm rest away and reveals the inside table.

Name
Rail System

Product code
500216-C

Specifications

- Material: composite
- Color: black

Options

- Standard stroke s=length 150mm, lengths up to 180mm on request

Assembling instructions

- Assembling to veneer seat frame and to veneer armrest by 8pcs wooden screws (length depending on constructions)