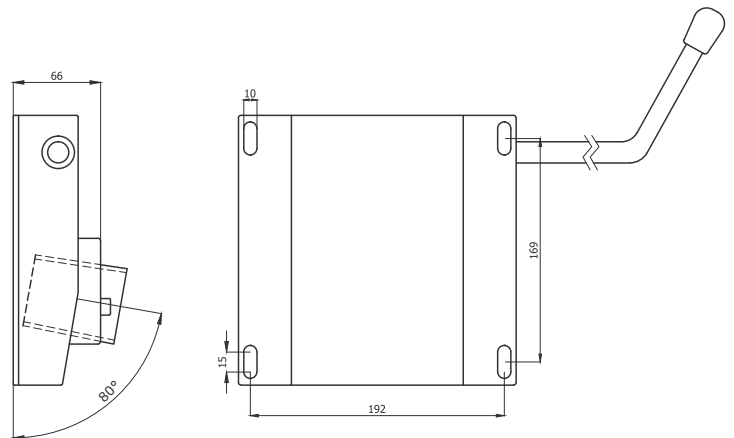


# Tilt mechanism for Piccolo swivel



## Inspiration & Assembling



## Product information

Tilt with locking mechanism, available with Piccolo swivel and automatic return mechanism.

<b>Name</b>	<b>Product code</b>
Tilt mechanism for Piccolo swivel	X10510

See also page 12 Piccolo swivel for more information!

## Specifications

- Material: metal
- Color: black painted
- Cone type: Piccolo swivel up side down with Euro cone or Gas cone (not included)

## Options

- Customized lever shape
- Lever surface chromed on request
- Other cone types on request
- Customized hole picture
- Customized fastening

## Assembling instructions

- Assembling to wooden chair frame by screws