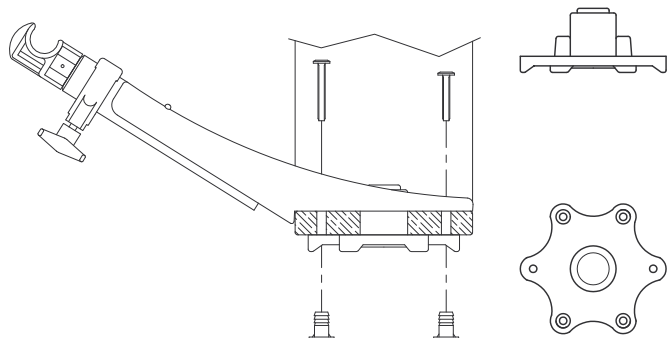
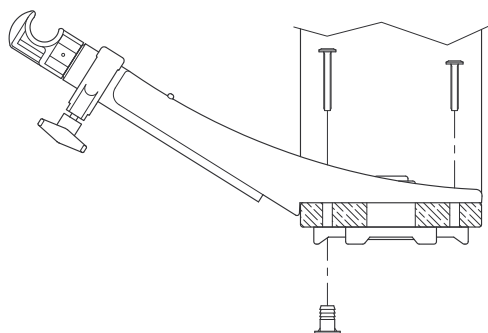


Uno glide



Inspiration & Assembling



Product information

Glide mechanism for recliner chair with wooden U-bow, with adjustable friction.

Name	Product code
Uno glide mechanism	336 503
Cake fastening cone	336 950

Specifications

- Material: composite
- Color: black
- Gliding function to be adjusted by a knob
- Screws included

Options

- Customized hook (fastening method to metal frame) on request

Assembling instructions

- Assembling to wooden U-bow (1): 3pcs M6*40 and 3pcs M6*50mm
- Assembling to metal frame frame (2): by pressing frame into the hook
- Assembling to Cake fastening cone (3): 6pcs M6*14 645A006014N
- Hole picture, see page 33 Technical Details