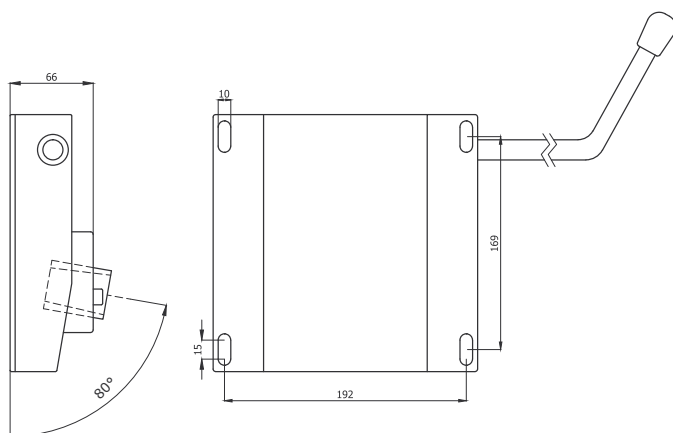


Tilt mechanism



Inspiration & Assembling



Product information

Tilt with locking mechanism.

Name	Product code
Tilt mechanism	X10

Specifications

- Material: metal
- Color: black painted
- Cone type: Eurocone standard

Options

- Customized lever shape
- Lever surface chromed on request
- Other cone types on request
- Customized hole picture
- Customized fastening

Assembling instructions

- Assembling to wooden chair frame by screws