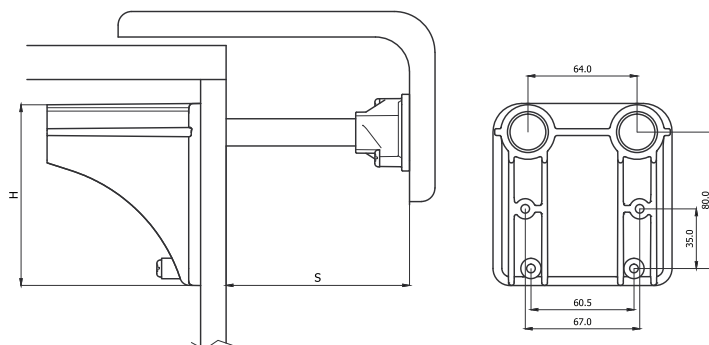


# Rail System



## Inspiration & Assembling



## Product information

Component for arm rest with e.g. hidden drink holder. The shafts push the arm rest away and reveal the inside table.

**Name**  
Rail System

**Product code**  
500 216-C

## Specifications

- Material: composite
- Color: black

## Options

- Standard stroke  $s$  = length 150mm, lengths up to 180mm on request

## Assembling instructions

- Assembling to veneer seat frame and to veneer armrest by 8pcs wooden screws (length depending on constructions)